

Quattroflow® Four-Piston Diaphragm Pumps



QUATTROFLOW®

ROMYNOX

+31 (0)85 043 31 10

info@romynox.nl

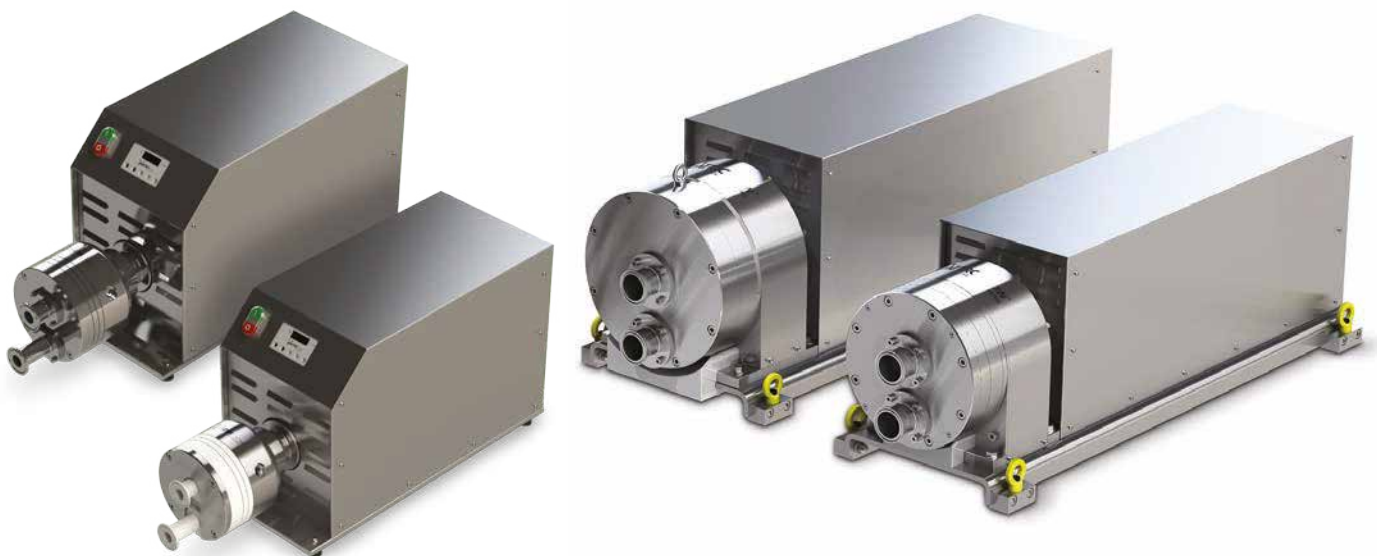
www.romynox.nl



Who We Are

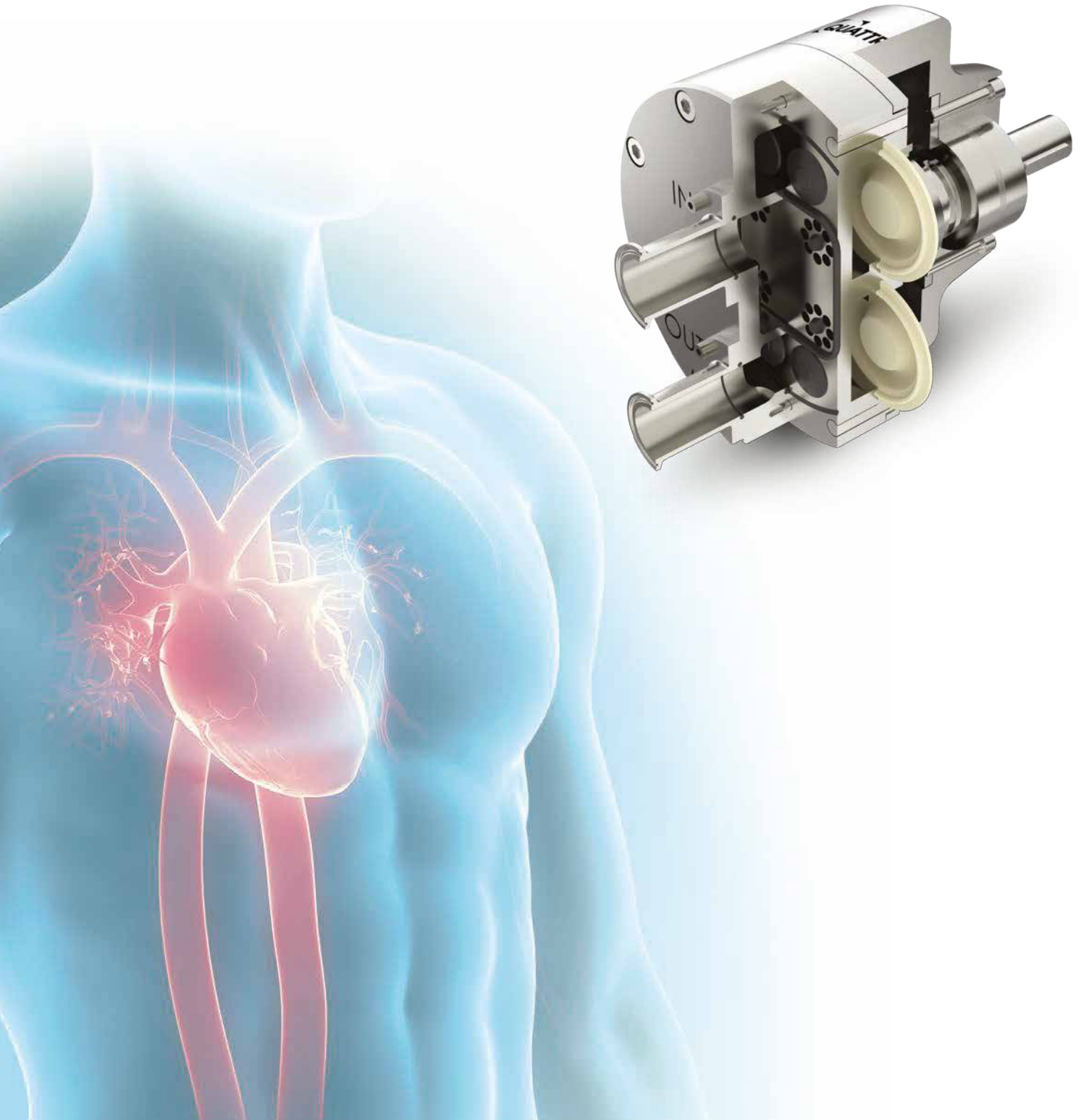
Based in Duisburg, Germany, Quattroflow® develops and manufactures multiple- and single-use four-piston diaphragm pumps that have been designed for critical fluid-processing applications in biopharma production. A wide distributor network and cooperation with OEM companies help Quattroflow satisfy customer needs all over the world.

Quattroflow is a product brand of PSG®, a global pump-solution expert for key vertical markets, including biotech, chemical and energy. PSG is part of the Pumps & Process Solutions segment within Dover Corporation, a diversified global manufacturer for more than 60 years.



Our Technology

The design of Quattroflow four-piston diaphragm pumps has some similarities to the human heart, which is tasked with pumping one of the most critical fluids on Earth: human blood. While the human heart has two chambers, Quattroflow pumps feature four individual and integrated chambers to effectively minimize pulsation. This method of operation allows for the gentle, safe and secure transfer of aqueous solutions and biopharma products. In addition, Quattroflow pumps enable dry-run operation, self-priming startup and low-heat input while offering a broad flow range and a flow rate proportional to the motor speed.



Single-Use Pump Solutions

Single-use technology offers many advantages and flexibility in biopharma. For this, Quattroflow single-use pumps have a disposable wetted pump chamber that can be replaced as a complete unit.

- Identical flow range as multiple-use versions
- Max. discharge pressure of 4 bar
- Solid polypropylene (PP) material of construction
- Eliminates costly and time-consuming cleaning and sterilization
- Ideal for use in multi-product facilities like:
 - Process development
 - Production of clinical-trial material
 - Contract manufacturing
- Assembled in an ISO Class 7 cleanroom
- Available in a pre-gamma irradiated version (dose >25kGy)
- Full single-use validation guide available, including extractables data and material certifications (FDA, USP Class VI, BSE/TSE)



EZ-Set: Quick, Easy & Safe

Quattroflow single-use pumps are available with the EZ-Set Pump Chamber Replacing System that allows faster replacement of single-use pump chambers.

- Quick replacement of the pump chambers
- Available for single-use pump sizes QF150 and QF1200
- Integrated force limitation for proper tightening, no torque wrenches needed
- Retrofittable on most existing standard Quattroflow single-use pumps by replacing the pump chamber, pressure plate and shaft bearing kit



Multiple-Use Pump Solutions

Quattroflow multiple-use pumps feature stainless-steel construction and offer clean-in-place (CIP) and steam-in-place (SIP) capabilities to satisfy the necessary cleaning requirements.

- Material of the pump chamber: 1.4435 (SS316L), electropolished, Ra <math><0.4\mu\text{m}</math> product-wetted surface roughness
- Max. discharge pressure of 6 bar
- Suitable for CIP/SIP procedures
- Autoclave capability
- Elastomers FDA and USP Class VI compliant
- Optional certifications for wetted parts:
Stainless steel: 3.1, Surface roughness, Ferrite (EN10204)



Accessories for Single- & Multiple-Use Pumps

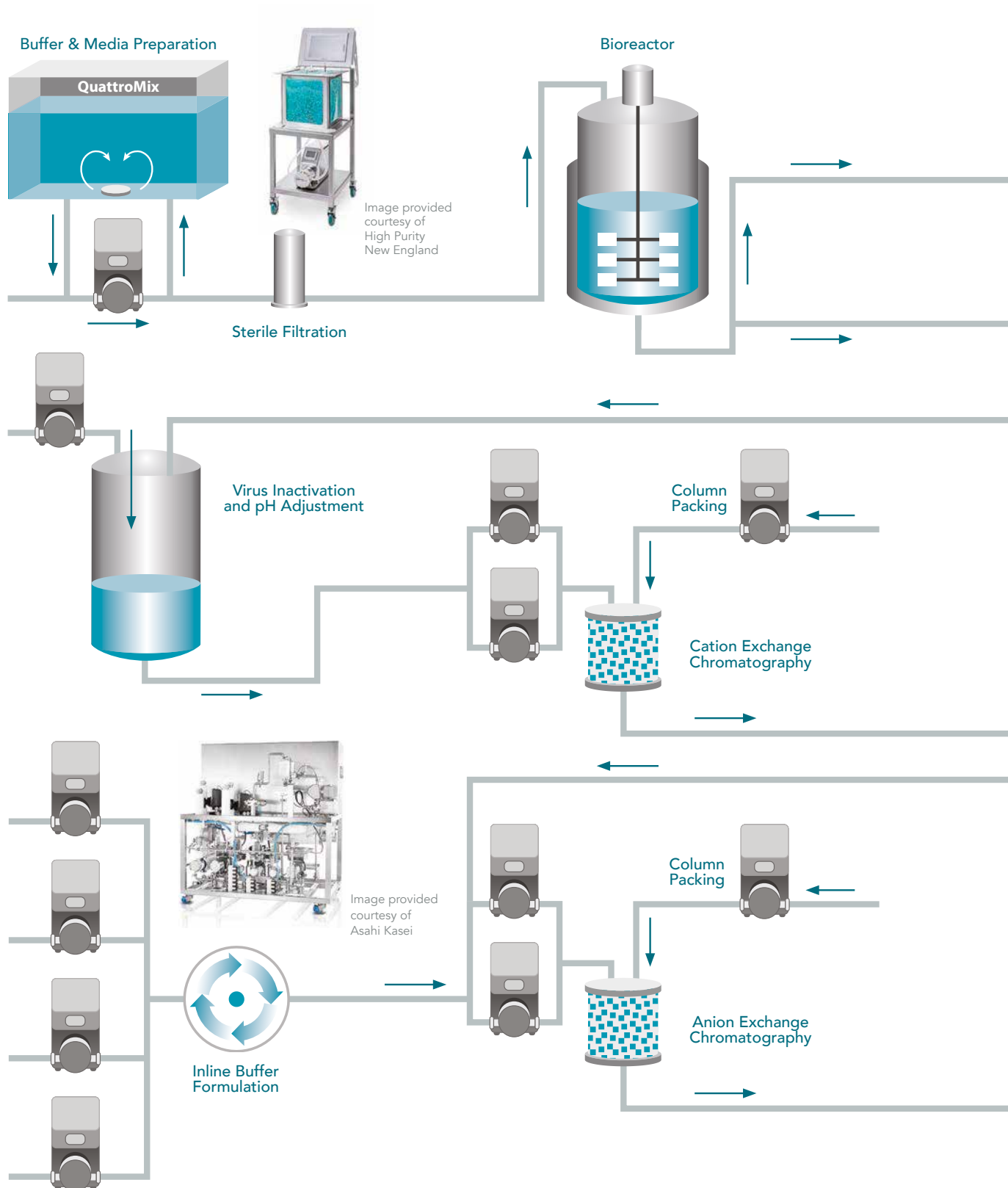
Diaphragm Sensor

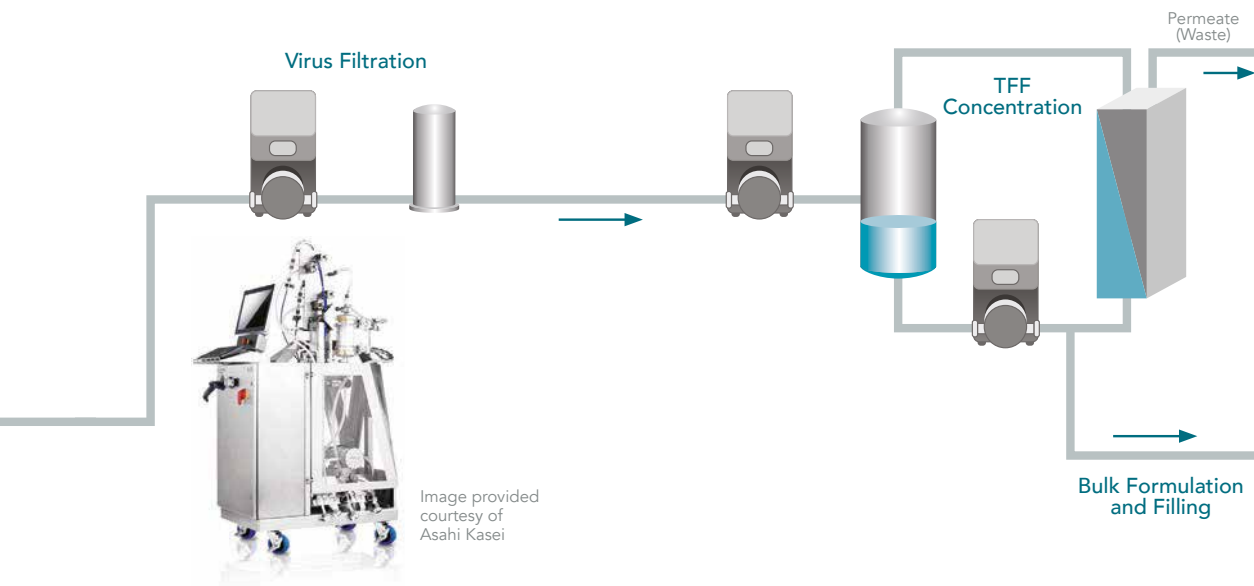
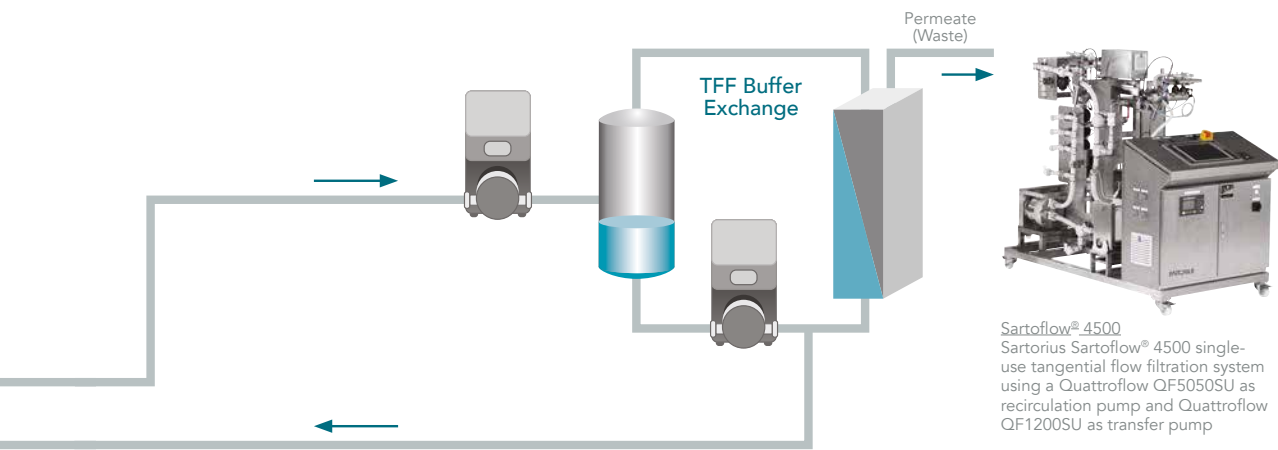
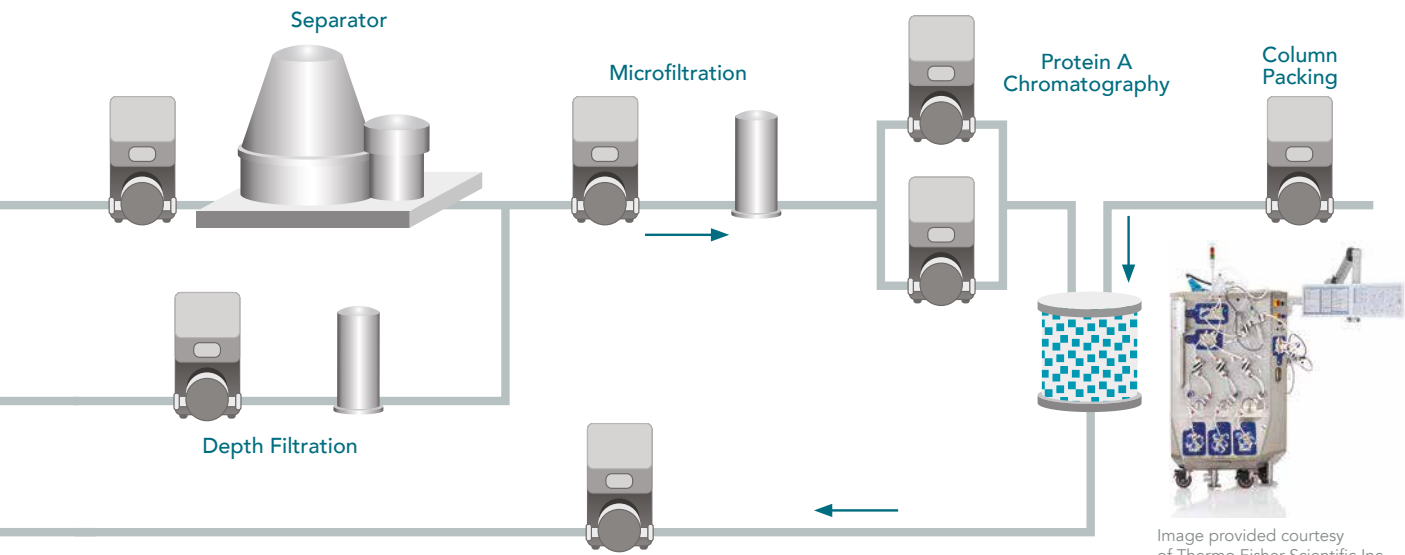
- Sensor installed in ring drive unit
- Detection of all liquids
- Signal output to a controller, if diaphragm is ruptured



Quattroflow Applications

Quattroflow pumps are used in various critical biopharma applications. The following overview shows a part of the application diversity.

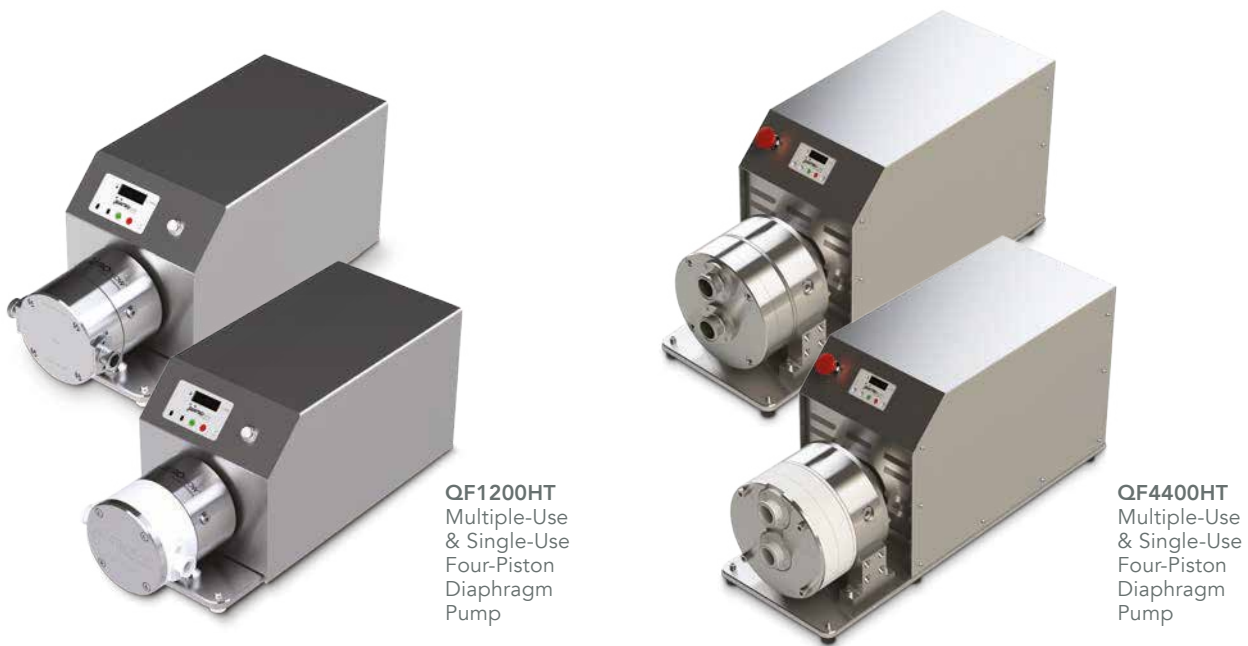




HT Drives

Quattroflow HT pumps incorporate the same innovative features and benefits of standard pumps with one significant space-saving design element: the pump drive, motor and control box are all integrated into one unit.

- Powerful and precise servo motor provides extended turndown ratio and a wider range of flow rates than standard versions
- High accuracy in controlling flow rates
- Compact design with integrated motor controller
- Keypad for manual control and display of motor speed
- Available with multiple-use and single-use pump chambers
- Remote pump operation over analog input (4-20mA)



Quattroflow OEM Pump Series for Improved System Integration

The OEM Pump Series is an integrable (panel-mount) pump series without housing. It comes with a small footprint and mounting solutions designed for improved system integration. The attached synchronous servo motor allows a wide flow range and multiple connections to external PLC systems.

- For Quattroflow multiple- and single-use pumps
- Synchronous servo motor option in 230V / 400V for extended flow ranges
- SEW servo motor as standard
- OEM pump flange option prepared for multiple AllenBradley motor types
- Available for Quattroflow pump models QF30, QF150, QF1200, QF2500, QF4400 and QF5k



Q-Control – Smart Control of Your Pump Operations

Q-Control is an integrated pump controller for Quattroflow pumps. It interfaces with a variety of flow and pressure sensors to provide users with automated control over their pump operations.

- Integrated pump controller that interfaces with different flow and pressure sensors
- Smart control functions that usually require an external PLC
- PID control mode for pressure- or flow-controlled pump operations
- Autotune function to automatically find optimal PID parameters
- Configurable alarms to stop the pump
- Dispensing feature to automatically fill defined volumes of liquid
- Direct connection of BioProTT™ Clamp-On Sensor or SumoFlo® Coriolis Flow Meter
- Trend data and alarm logging
- Available for Quattroflow quaternary diaphragm pump models QF30, QF150, QF1200, QF2500, QF4400 and QF5k

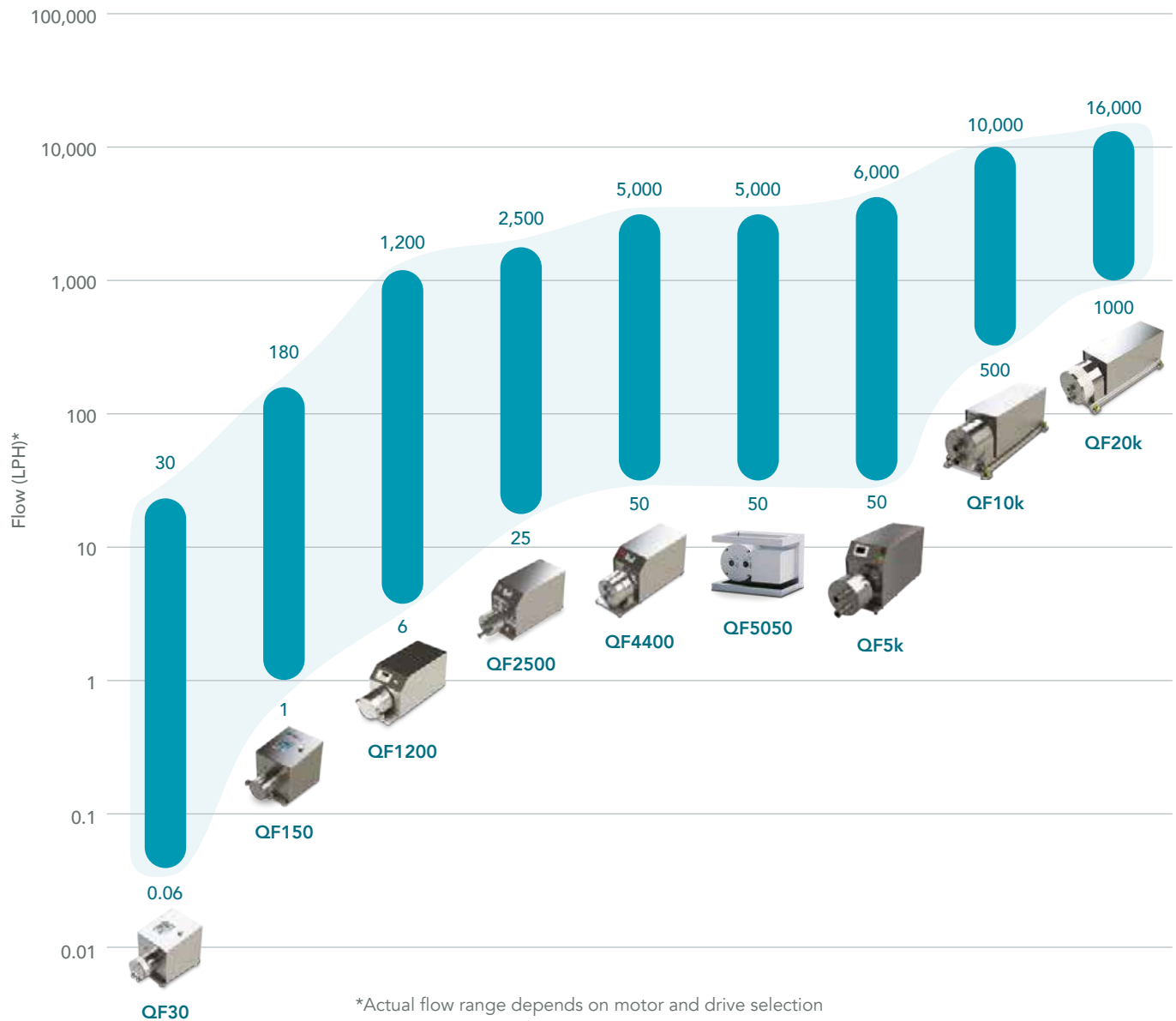


SCAN ME



Quattroflow Pump Range

The Quattroflow pump range consists of nine sizes, with most of them available as single- and multiple-use versions. The complete pump scope covers a flow range between 0.06 and 16,000 lph. In addition to the flow range, you can find information about maximum pressures and the availability of HT and/or Q-Control models as well as the availability of the diaphragm monitoring sensor and the em-tec flow sensor.



Models	QF30	QF150	QF1200	QF2500	QF4400	QF5050	QF5k	QF10k	QF20k
Flow - LPH*	0.06 - 30	1 - 180	6 - 1,200	25 - 2,500	50 - 5,000	50 - 5,000	50 - 6,000	500 - 10,000	1,000 - 16,000
Flow - LPM*	1 - 500 mlpm	0.017 - 3	0.1 - 20	0.41 - 41	2.5 - 83	0.8 - 83	0.8 - 100	8.3 - 167	16.7 - 267
Pressure - Bar: MU (SU)	6 (4)	6 (4)	6 (4)	6 (4)	6 (4)	6 (4)	6	6	6 (4)
MU	-	✓	✓	✓	✓	✓	✓	✓	✓
SU	✓	✓	✓	✓	✓	✓	✓	-	✓
HT	✓	✓	✓	✓	✓	-	✓	-	-
Q-Control	✓	✓	✓	✓	✓	-	✓	-	-
Diaphragm Monitoring	✓	✓	✓	✓	✓	✓	✓	✓	✓

*Actual flow range depends on motor and drive selection



PSG Germany GmbH | Quattroflow
Hochstraße 150-152
47228 Duisburg, Germany
T: +49 (2065) 89205-0
F: +49 (2065) 89205-40
E-Mail: psg-germany@psgdover.com
psgdover.com/quattroflow

Where Innovation Flows

PBT-Q-10004-C-01-A4

Authorized PSG Biotech Partner:

Copyright 2023 PSG®, a Dover company



PSG® reserves the right to modify the information and illustrations contained in this document without prior notice. This is a non-contractual document.



+31 (0)85 043 31 10

info@romynox.nl

www.romynox.nl