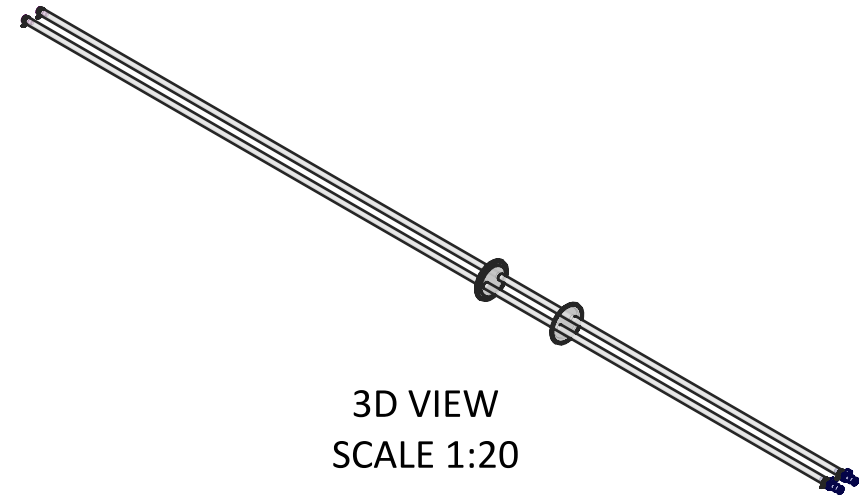
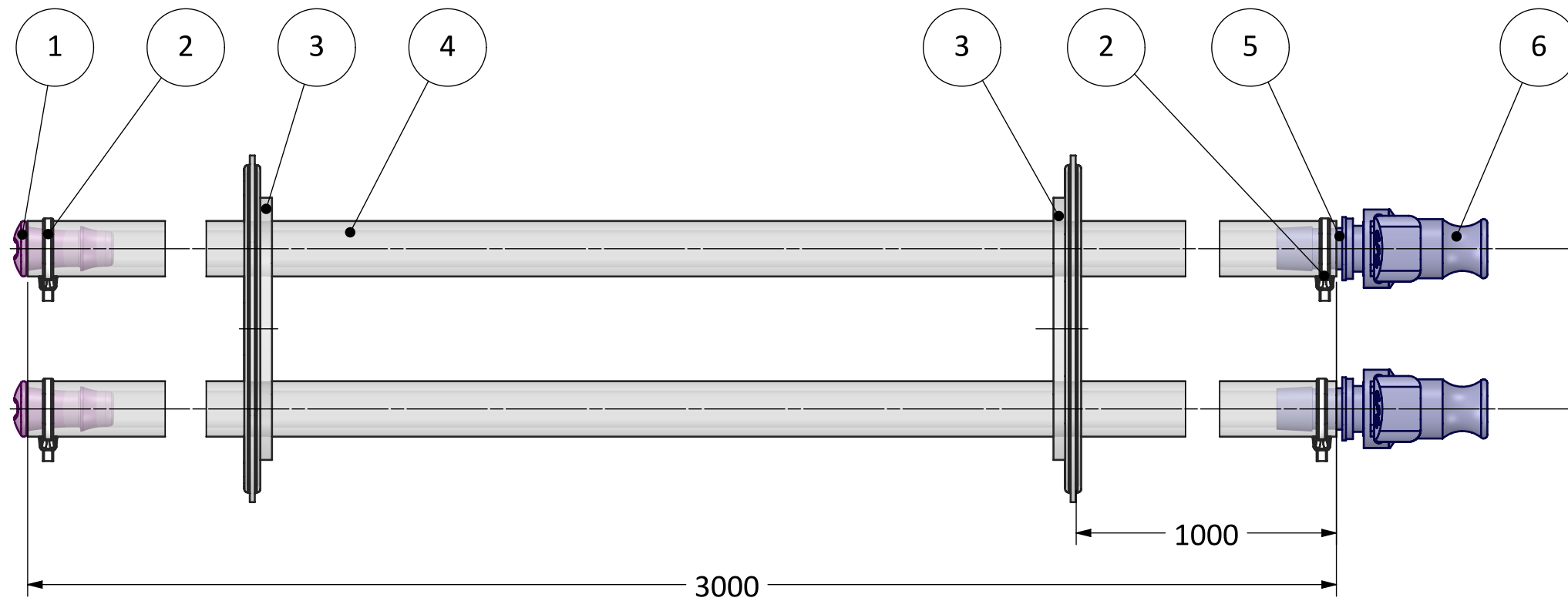


ITEM NO.	QTY	REFERENCE	Producer	DESCRIPTION	Material
1	2	PIP680-6005	Nordson	1/2" HB tube plug	PP
2	4	BT1.5I-M39	Panduit	Int. cable tie	Nylon
3	2	1024157	ROMYNOX	SUS G Disc 4", 2x 3/4" OD	Platinum cured silicone
4	2	FSA121873	Sartorius	Tuflux tube 1/2" ID x 3/4" OD. 3000mm	TPE
5	2	MPX22803M	CPC	1/2 Hose Barb Non-Valved Coupling Insert	PC
6	2	MPX32003	CPC	MPX Coupling Cap	PC



3D VIEW
SCALE 1:20



Packing	Double bagged
Treatment	

CLIENT APPROVAL

Name:
Signature:
Date (DD-MM-YY):

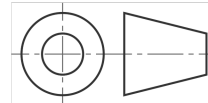
DISCLAIMER AND LIABILITY LIMITATIONS

Express Warranties. The description of the goods contained in the agreement between SELLER and BUYER is the sole basis for the agreement of the Parties, and no statements or representations other than those embodied therein have been made by SELLER or relied upon by BUYER.

Implied Warranties IT IS SPECIFICALLY AGREED THAT THE SUBJECT GOODS ARE SOLD WITHOUT ANY WARRANTY OF MERCHANTABILITY. BUYER affirms that BUYER has no relied on SELLER's skill or judgment to select or furnish goods for any particular purpose, and that the subject goods are sold WITHOUT ANY WARRANTY THAT THE GOODS ARE SUITABLE FOR ANY PARTICULAR PURPOSE. BUYER assumes all risk relating to the use or installation of the Goods.

Limitations SELLER's sole liability with respect to the subject goods is to repair or replace defective parts. In no event shall SELLER have any liability for consequential or punitive damages relating to the goods.

THIRD ANGLE PROJECTION



www.romynox.nl

Title:
Aseptic 2x 1/2" ID Romy-pass transfer

Material:
/

E					
D					
C					
B					
A	30-06-23	ETK			
Edited	Date (DD-MM-YY)	Signed	Description	Control (DD-MM-YY)	Signed

DWG No. 2023063003-A
Article No. CLR-23063003-A

Notes:

Standard:

Tube Cutting Tolerance	
0 m < 1 m	± 05 mm
1 m < 2 m	± 10 mm
2 m < 4 m	± 20 mm
4 m < 8 m	± 30 mm
8 m <	± 40 mm

Scale: 1:2
Units: mm

Revision:
A
CAA-TU-A3L
A3