

# ADAPTOR COMPRESS FITTING TO TRI-CLAMP

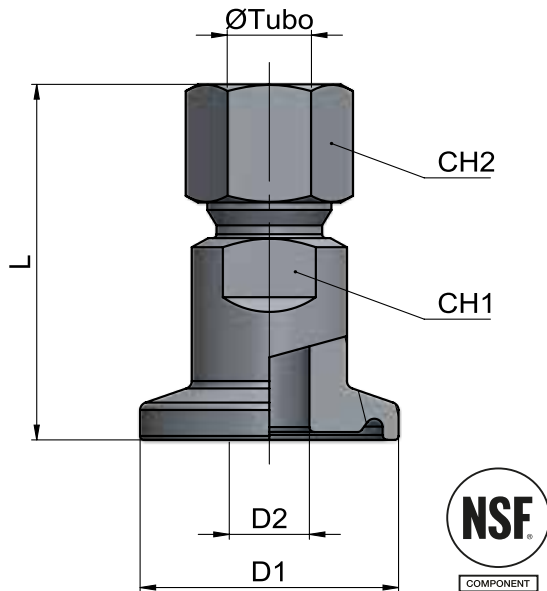
Easy-to-use stainless clamp fitting

RX-CODE  
FBC

The Clamp connection style fitting is a perfect solution for all kinds of applications in the biopharma process.

The assembly and disassembly of a Clamp fitting is very easy to use.

The fitting is made of Stainless steel and guarantees a secure, smooth, uniform connection between the tubing and tri-clamp.



## FEATURES

- Easy to use
- High pressure application 80 Bar
- Perfect adaptor for flow from stainless steel tubing to tri-clamp

## SPECIFICATION

- Temp. : -40°C to 250°C
- Max pressure : 80 Bar
- Surface finish : SF1
- Standard material : 1.4404 / 316L

Type	Ø Tube	D1	D2	CH1	CH2	L
OX11 06 XT D25	6	25	4,55	12	12	35,5
OX11 06 XT D50,4	6	50,4	4,55	12	12	35,5
OX11 08 XT D25	8	25	7,75	12	14	36
OX11 08 XT D50,4	8	50,4	7,75	12	14	36
OX11 10 XT D25	10	25	7,75	16	19	40,5
OX11 10 XT D50,4	10	50,4	7,75	16	19	40,5