

# ADAPTOR PUSH-IN TO TRI-CLAMP

Easy-to-use stainless clamp fitting

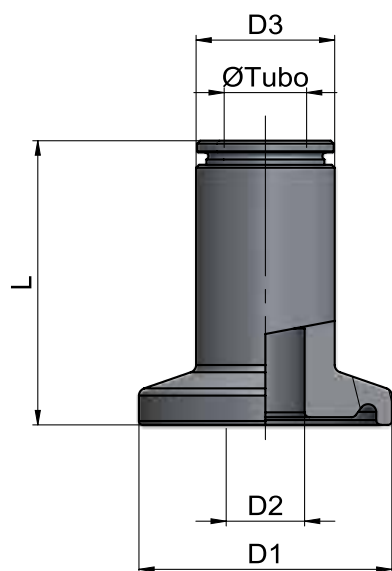
RX-CODE

FBI

The Clamp connection style fitting is a perfect solution for all kinds of applications in the biopharma process.

The assembly and disassembly of a Clamp fitting is very easy to use.

The fitting is made of Stainless steel and guarantees a secure, smooth, uniform connection between the tubing and tri-clamp.



## FEATURES

- Easy to use
- Perfect adaptor for flow from stainless steel tubing to tri-clamp

## SPECIFICATION

- Temp. :  $-20^{\circ}\text{C}$  to  $180^{\circ}\text{C}$
- Max. pressure : 20 Bar
- Surface finish : SF1
- Standard material : 1.4404 / 316L

Type	$\varnothing$ Tube	D1	D2	D3	L
MX11 06 XT D25	6	25	4,55	12	29,5
MX11 06 XT D50,4	6	50,4	4,55	12	29,5
MX11 08 XT D25	8	25	7,75	13,7	29,5
MX11 08 XT D50,4	8	50,4	7,75	13,7	29,5
MX11 10 XT D25	10	25	7,75	16	30
MX11 10 XT D50,4	10	50,4	7,75	16	30