

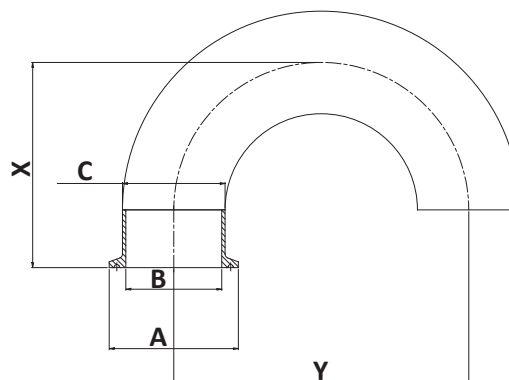
Safety outlet

Using the bursting disc outlet you have, if the rupture disc breaks through pressure, control the direction in which the liquid comes out. Instead of uncontrolled release into the surrounding environment, it remains now near the vessel.



Technical information

Sizes	see table
Connections	Tri-Clamp
Material	316L
Finishes	SF1
Certificates	3.1



Size	ØA	ØB	ØC	X	Y
1 1/2"	50,4	34,8	38,1	81,6	106
2"	64	47,5	50,8	101,6	146



Rupture Disc Outlet/04/17