

3/2 WAY-PLASTIC-PILOT-VALVE TYPE 600/605



Description

Direct solenoid actuated poppet valve, normally closed and normally open, direct and manifold mounting.

Solenoid valve for filtered, lubricated or non lubricated air, neutral gaseous and liquid fluids.

Features

- Compact design
- Interchangeable solenoid system
- Plastic overmolded solenoid
- suited for coarse vacuum
- Exhaust port provided with silencer
- Standard manual override
- Current draw 5 W

Type 600

Connections: Threaded socket 1/8" BSP.

Inlet and Outlet arranged at an angle of 90°.

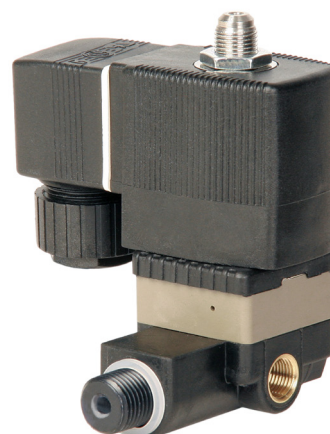
Suitable for direct mounting on process valve, by hollow screw with 1/4" or 1/8" BSP thread.

Type 605

Connections: threaded inlet G 1/4" outlet G 1/8".

Inlet and outlet arranged at an angle of 90°.

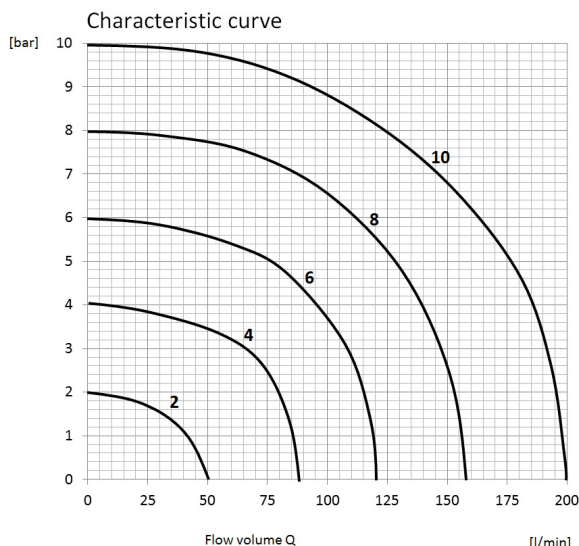
Suitable for battery mounting. May also be used as a single valve.



Technical data

Nominal size	1,6mm
Line connection	G 1/8"
Operating pressure	0 - 10 bar
Flow rate	Qn 200 l/min
Voltages	
AC	24V40-60 Hz, 110V40-60 Hz, 220V40-60 Hz
DC	12V, 24V, 48V, 100V, 110V, 200V

Switching time appr.	On 14 ms
	Out 9ms
Current draw	5W (6VA)
Protection Class ICE/EN 60529	IP 65
Temperature range	-10 to +60°C
Weight	210g
Body material	PBT



The diagram illustrates the flow rate for gases in normal litres per minute.

For examples:

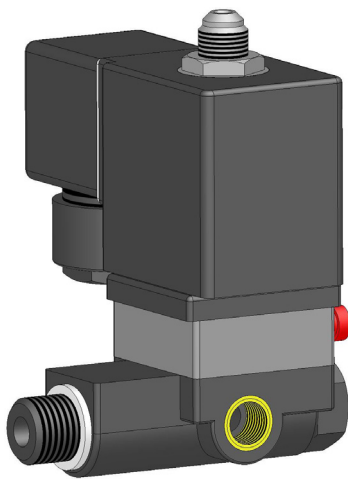
inlet pressure 6 bar and pressure drop (Δp) 2 bar.

mark the point of intersection of the 6 bar curve and the horizontal line for 2 bar Δp .

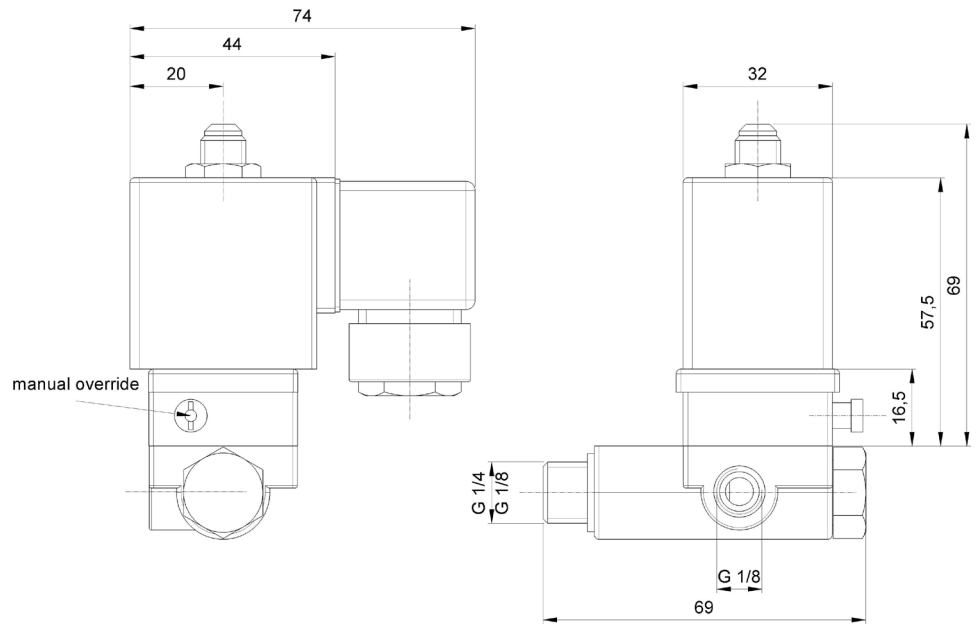
Move vertically from this point to the bottom scale and read off the flow rate in NL per minute.

3/2 WAY-PLASTIC-PILOT-VALVE TYPE 600/605

Type 600



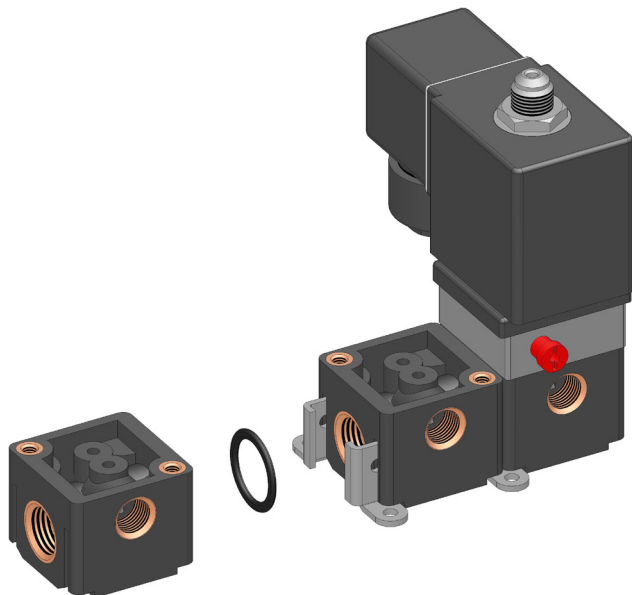
Dimensional drawing type 600



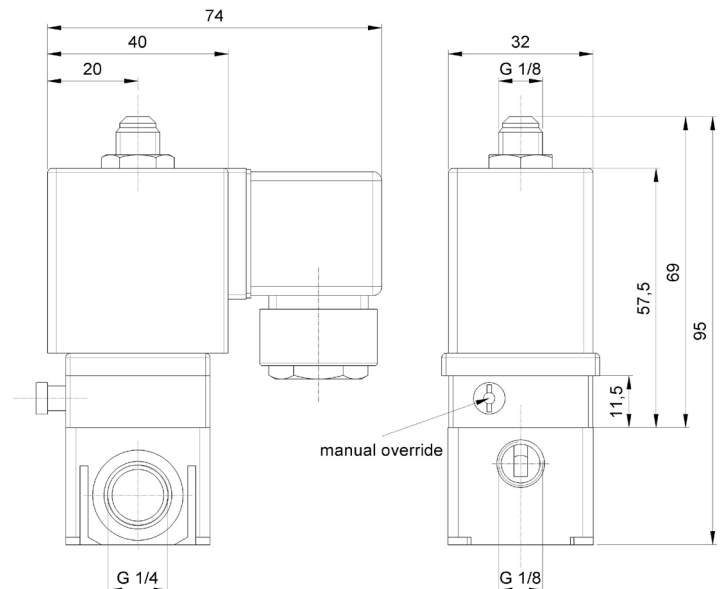
Parameter

Numb.	Designation	Cat.-No.
1	Valve (without flange)	00320.600.00
1	Flange	00107.600.501
1	Hollow screw	00292.600.501
1	Gasket	00201.600.14.17

Type 605



Dimensional drawing type 605



Parameter

Numb.	Designation	Cat.-No.
1	Solenoid Valve (without manifold base)	00320.600.0
1	Manifold base	00107.605.516
2	Maifold bracket	00301.605.001
1	O-Ring	00202.285.15.2
1*	Threaded plug G 1/4	00304.605.G 1/4

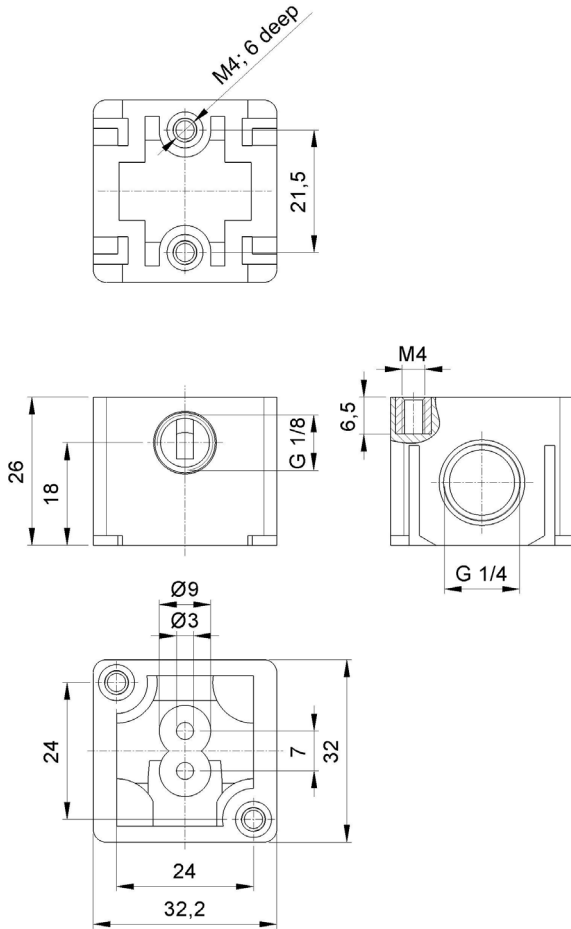
*additional

Mounting instructions

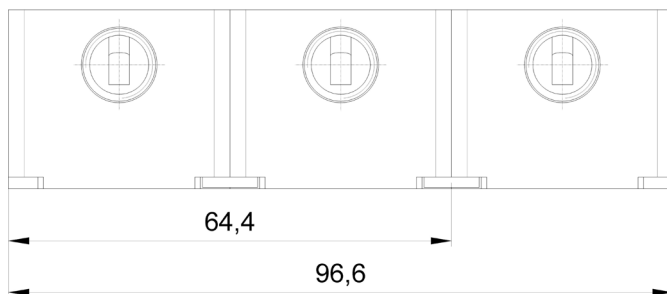
Manual override at connection side 2
Bores and manifold brackets must not be used for the attachment of the manifold system.

3/2 WAY-PLASTIC-PILOT-VALVE TYPE 600/605

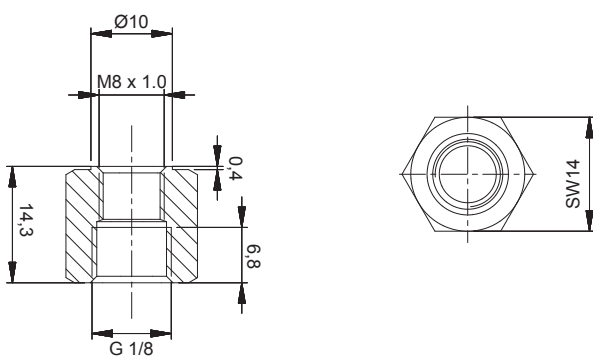
Dimensional drawing base for type 605



Dimensional drawing manifold base for type 605



Dimensional drawing adapter for type 600/605



3/2 WAY-PLASTIC-PILOT-VALVE TYPE 600/605

Ordering Key

	1	2	3	4	5	6	7	8	9	10
	600/605	DN	32	25	2/4	1	34	1	110A	A03
1	Type									
2	Diaphragm size									
3	Connections and Positions									
4	Valve body material									
5	Material seat sealing									
6	Control Function									
7	Valve body connection									
8	Cable plug									
9	Voltage									
10	Atex									

Design Options

2	Suitable for Valve with diaphragm size	Code
3	Connections and Positions	Code
	3/2	32
4	Valve body material	Code
	IXEF	25
5	Material seat sealing	Code
	FPM	2
	NBR / O-Ring FPM	4
6	Control Function	Code
	Normally closed NC	1
7	Valve body connection	Code
	Supply unit G1/8, User G1/4	34
8	Cable plug	Code
	Form A, DIN EN 175301-803	1
9	Voltage	Code
	110V, AC	110A
	230V, AC	230A
	24V, AC	24A
	24V, DC	24D
10	Atex	Code
	Type 600: ATEX 2129 X II 2G EEx m II T4 (Material seat seal must always be FPM)	A03
	Type 605: On request	