

ELECTRICAL POSITION INDICATOR TYPE 024.85



The SED electrical position indicator type 024.85 enables a perfect control and signalization of the open/closed positions of the valve.

Features

- The electrical position indicator has two mechanical micro-switches
- The corrosion resistant plastic unit is designed for actuator strokes up to 75mm
- The position actuating spindle has a positive direct connection with the valve actuator without axial clearance
- The electrical connection is via cable gland
- Both microswitches can be continuously and precisely adjusted, independently of each other, via threaded spindles
- 360° adjustable mounting position
- Customer specified connectors available as an option
- Simple mounting and retrofitting to linear actuators
- Mounting to other valve makes possible
- Compact design in a stable housing
- Protection class IP 65 to EN 60529

Technical Data

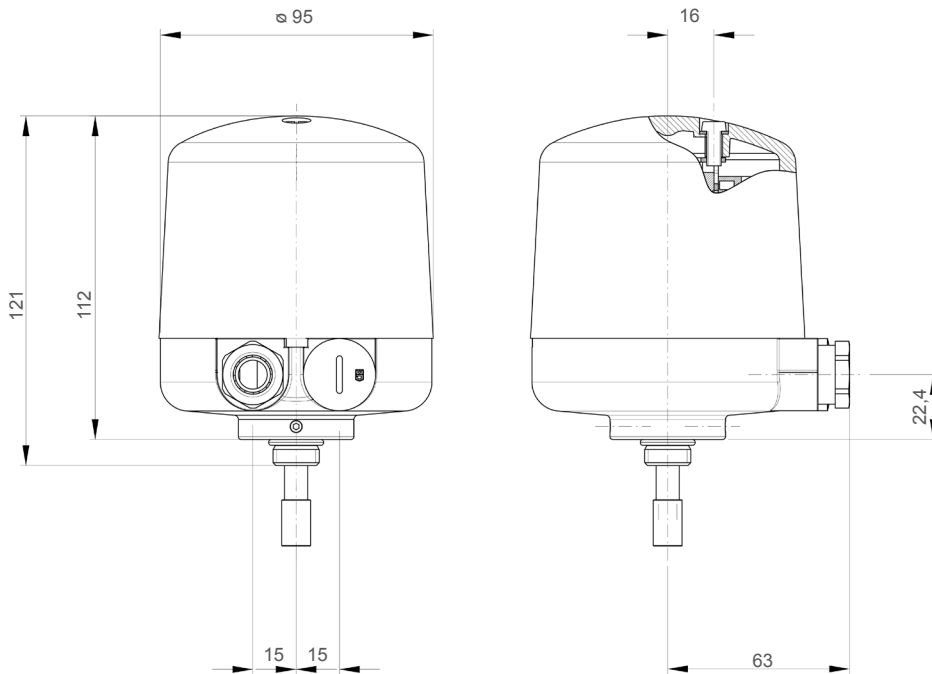
Type 024.85	
Rated voltage	250V AC
Rated current (EN 61058-1)	6A
Service life	10x 10 ⁶ cycle duties
Housing materials	Cover= PC (Makrolon) Base= PP + 30% GF
Protection class	IP 65 (EN 60529)
Max. stroke	75 mm
Ambient temperature	-20...+60°C
Cable gland	PG13,5
Cable diameter	10-12mm



ELECTRICAL POSITION INDICATOR TYPE 024.85



Dimensional drawing



Assembly set



Standard

With stroke limiter

Assignment of the assembly sets to the corresponding valve type see price list.



TD16 0207 Rev. c, Subject to alteration