


# ELECTRICAL POSITION INDICATOR

## TYPE 024.90

With the SED type 024.90.xxx electrical position indicator, an open or closed can be indicated. The electrical position indicator has a full plastic housing and is designed to fit all SED actuated valves. The switching system is based on a micro switch. The electrical connection is through an ap-6.9 cable connector to the micro switch.

### Features

- In the „open“-position (100%) the microswitch is activated
- The position of the switch is always visible through the clear cover
- Optional ATEX-marking:  II 2G IIB T6 X

### Advantages

- The cable connector is adjustable through 360°
- The housing can be rotated through 360°
- Additional visual indication of the signal from a red cam via the transparent section of the indicator
- The protection class is IP 65

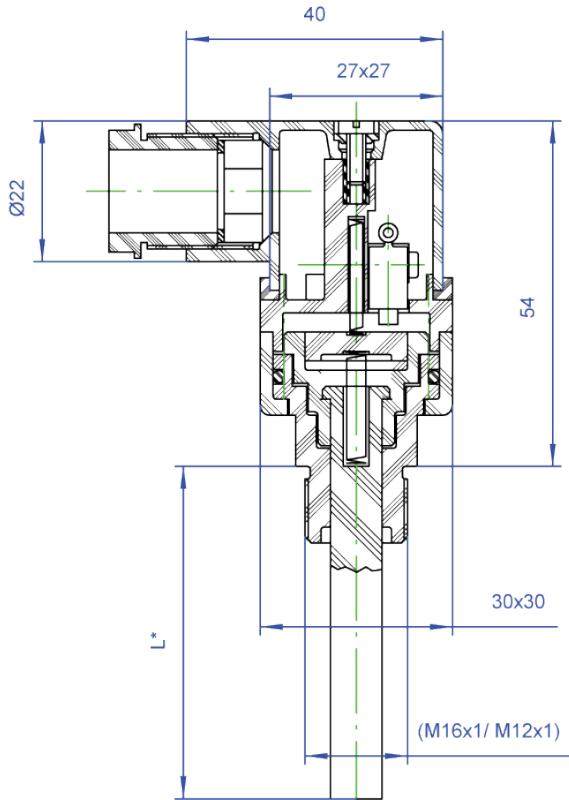


### Technical Data

Type of switch	Micro switch
Version	250V~5A/ 24V/ (resistive load), switch class 2
Protection class	IP 65
Atex class	II2G IIB T6X (optional)
	Depending on application only with ATEX compliant isolating amplifier which is made for operation with electromechanical switches and for which are own operating manuals valid
Temperature	-10°C up +55°C
Valve stroke min / max	min= 1mm, max=100mm
Material	Housing cover: Polyamide PA Housing base: Polypropylene, 30% glass fiber PP
Electrical data	Category AC -15
	Switch rating AC rating 250V AC/4 A DC rating 24V DC/4 A Inductive load 0.6 A

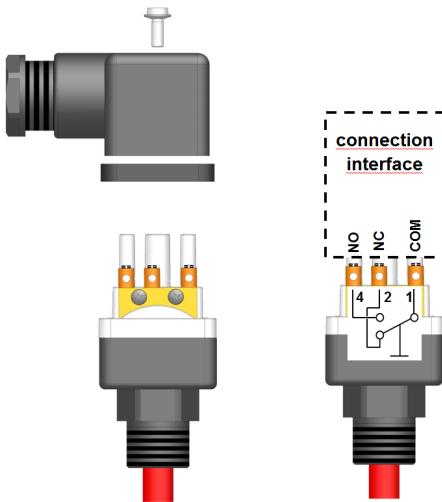
# ELECTRICAL POSITION INDICATOR TYPE 024.90

## Dimensional drawing

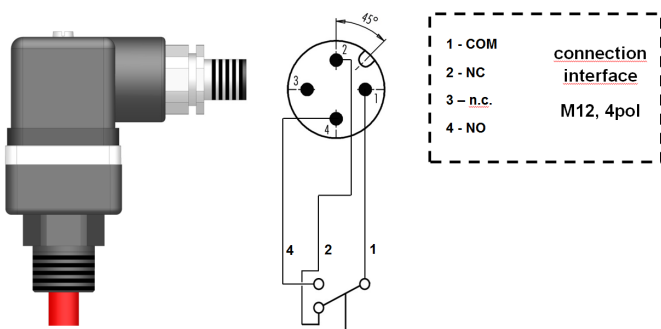


\* Dimension L is adjusted to the different valves types!

## Connection diagramm 024.90.xxx with PG



## Connection diagramm 024.90.xxx S0903 with M12 4pol (not for Atex)



# ELECTRICAL POSITION INDICATOR

## TYPE 024.90

Article code	Type	L	Size	Actuator size
024.90.001 S	186/188/195	13	10 - 20	
024.90.002 S	385	48	15 - 25	
	485		15 - 32R	
	495		15 - 40R	
024.90.003 S	385	61	32 - 40	
	485		40	
	495		32 - 50R	
024.90.004 S	385	80	50	
	485		50 - 65R	
	495		50	
024.90.005 S	385	55	65 - 80	
	485		80 - 100	
	495		65 - 100	
024.90.006 S	584	18	15 - 50	70
024.90.009 S	585	69	20 - 80	120
	687		20 - 50	120
024.90.017 S	885/985 *		15 - 32R	
024.90.018 S	885/985 *		40	
024.90.019 S	885/985 *		50 - 65R	
024.90.020 S	885/985 *		80	
024.90.021 S	885/985 *		100	
024.90.026 S	307	18	10 - 20	45
024.90.027 S	407	35	50	100
024.90.028 S	407	22	15 - 40R	70
			32 - 50R	100
			65 - 100	170
024.90.034 S	395	18	15 - 40R	
	402		15 - 25	
	482		15 - 32R	
024.90.035 S	395	22	32 - 50R	
	402		32 - 40	
	482		40 - 40	
024.90.036 S	395	28	50	
	402		50	
	482		50 - 65R	
024.90.037 S	207	18	4 - 15	30
024.90.039 S	190	14	4 - 15	
024.90.041 S	207	15	4 - 15	25
024.90.042 S	382	28	15 - 20	
024.90.100 S	All valve types **	96	M16x1	
024.90.200 S	All valve types **	95	M12x1	

\* assembly only factory provided

\*\* adaptable by cutting

For Atex version put an „A“ in front of the article-code.