

INDUCTIVE POSITION INDICATOR TYPE 024.86

The SED inductive position indicator type 024.86 enables a perfect control and indication of the open/closed positions of the valve. The signal is transmitted by two proximity switches. Switches stroke between both spools is linear, and enables an easy employ whenever signal must precisely be repeated. Main features of the indicator type 024.86 are also a total protection against current peaks, and a safe handling.

Features

- The inductive position indicator is suitable for linear valves with actuator strokes up to 75mm (actuating travel)
- It has a corrosion resistant plastic housing and one or two inductive proximity switches acc. to NAMUR EN 50227
- The electrical connection is via cable gland
- Both proximity switches can be continuously and precisely adjusted, independently of each other, via threaded spindles
- Device can be rotated through 360°
- Simple mounting and retrofitting to linear actuators
- Compact design in a stable housing
- The switches are not subject to wear, contactless detection
- Protection class IP 65 to EN 60529

Optional

- ATEX-marking from the proximity switches:
 - II 1G Ex ia IIC T6...T1 Ga
 - II 1D Ex iaD 20T 108°C
 - -20°C ≤ Ta ≤ +60°C

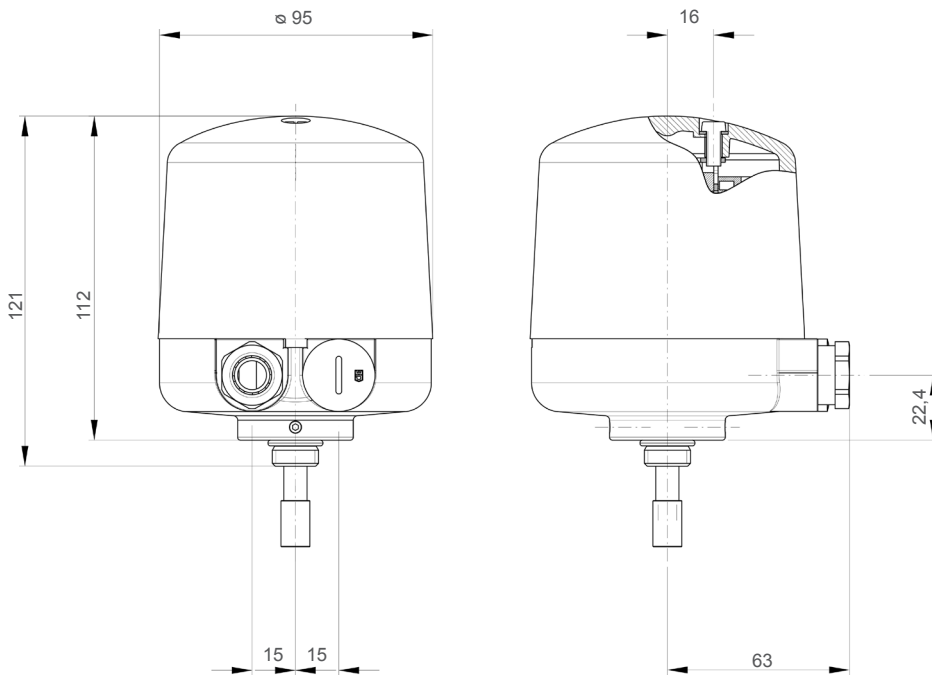
Technical Data

Type 024.86	
Rated voltage	8,2V
Sensor/manufacturer	NAMUR (2-wire) NJ2-V3-N Pepperl+Fuchs
Rated current undamped	≥ 3mA
Rated current damped	< 1mA
Housing materials	Cover = PC (Makrolon); Base = PP + 30% GF
Protection class	IP 65 (EN 60529)
Max. stroke	75 mm
Ambient temperature	-20...+60°C
Cable gland	PG13,5
Cable diameter	10-12mm
Atex (optional)	can be used in hazardous zones 1/21 and 2/22



INDUCTIVE POSITION INDICATOR TYPE 024.86

Dimensional drawing



Assembly set



Standard

With stroke limiter

Assignment of the assembly sets to the corresponding valve type see price list.