

INDUCTIVE POSITION INDICATOR TYPE 024.87

The SED inductive position indicator type 024.87 can be used for pneumatically operated linear actuators. It has a corrosion resistant plastic housing and is designed for actuator strokes up to 75mm. It has one or two inductive proximity switches with integrated LED indication. The position indicator spindle has a positive direct connection with the valve actuator without axial clearance. The electrical connection is via PG 13.5 cable gland.

Features

- Inductive proximity switch with LED indication (depending on version)
- Both proximity switches can be continuously and precisely adjusted, independently of each other, via threaded spindles
- Indicator can be rotated through 360°
- Customer-specified connectors available as an option
- Simple mounting
 - Electrical position indicator can be mounted independently from each other
- Compact design in a stable housing
- The switches are not subject to wear, contactless detection
- Protection class IP 65 to EN 60529

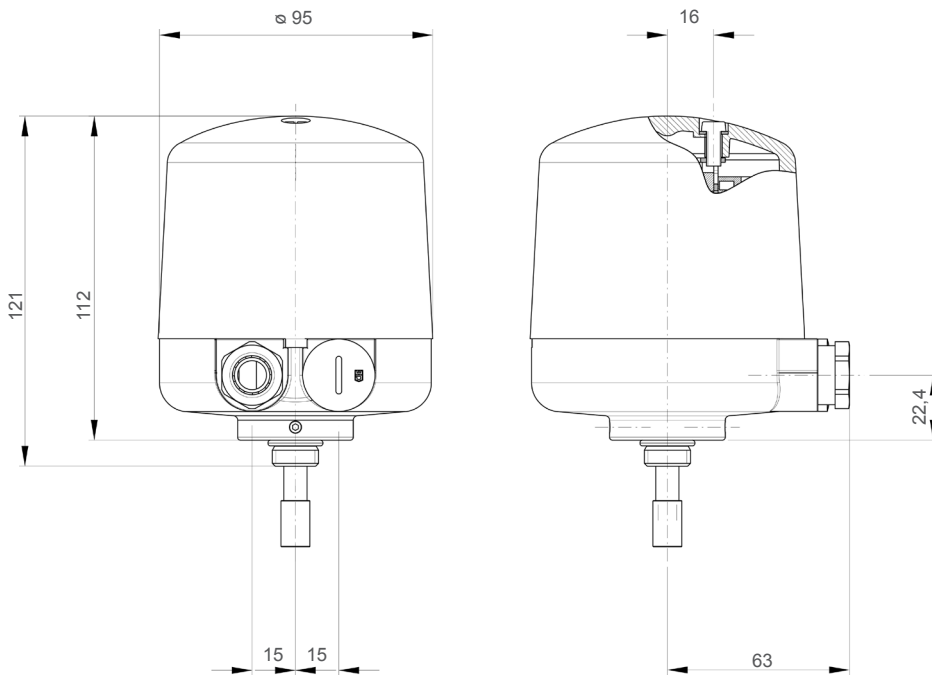
Technical Data

Type 024.87	
Rated voltage	24V DC (10...30V)
Operating current	0 - 100mA
Sensor/manufacturer	PNP 3-wire NBB2-V3-E2 Pepperl+Fuchs
Housing materials	Cover = PC (Makrolon) Base = PP + 30% GF
Protection class	IP 65 (EN 60529)
Max. stroke	75 mm
Ambient temperature	-20...+60°C
Cable gland	PG13,5
Cable diameter	10-12mm



INDUCTIVE POSITION INDICATOR TYPE 024.87

Dimensional drawing



Assembly set



Standard

With stroke limiter

Assignment of the assembly sets to the corresponding valve type see price list.