

## Manual Valve DN 8 - 20 mm (3/8" - 3/4")



### Features

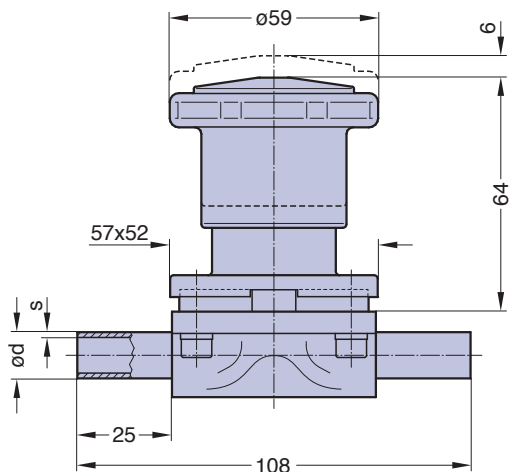
- **Stainless steel bonnet and plastic hand wheel**
- Manual diaphragm Valve with plastic hand wheel is suitable for a limited number of cycles of autoclaving.
- Rising hand wheel
- Sealed bonnet with optical indicator
- Adjustable internal travel stop
- CDSA sealing concept, see page 32
- Flexible diaphragm suspension
- Encapsulated diaphragm

### Technical Data

Control function:	Manually operated
Max. working pressure:	10 bar (150 psi)
Max. working temperature:	160°C (320°F) dependent on application
Diaphragm material:	EPDM or PTFE
Body material:	Forged 1.4435/ 316L ASME/BPE Investment cast 1.4435/ 316L Other Alloys
End connection:	Butt weld ends see fold out page 21 Clamps and flanges see page 22 to 24 Special ends
Bonnets suitable for:	Two-Way bodies / Welded configurations T- bodies / Multiport bodies Tank bottom bodies
Flow rate:	Kv in m <sup>3</sup> /h (Cv in GPM) see page 9
Diaphragm size:	MA 10
Weight:	ca. 0,6 kg

Technical data also valid for multiport valve.

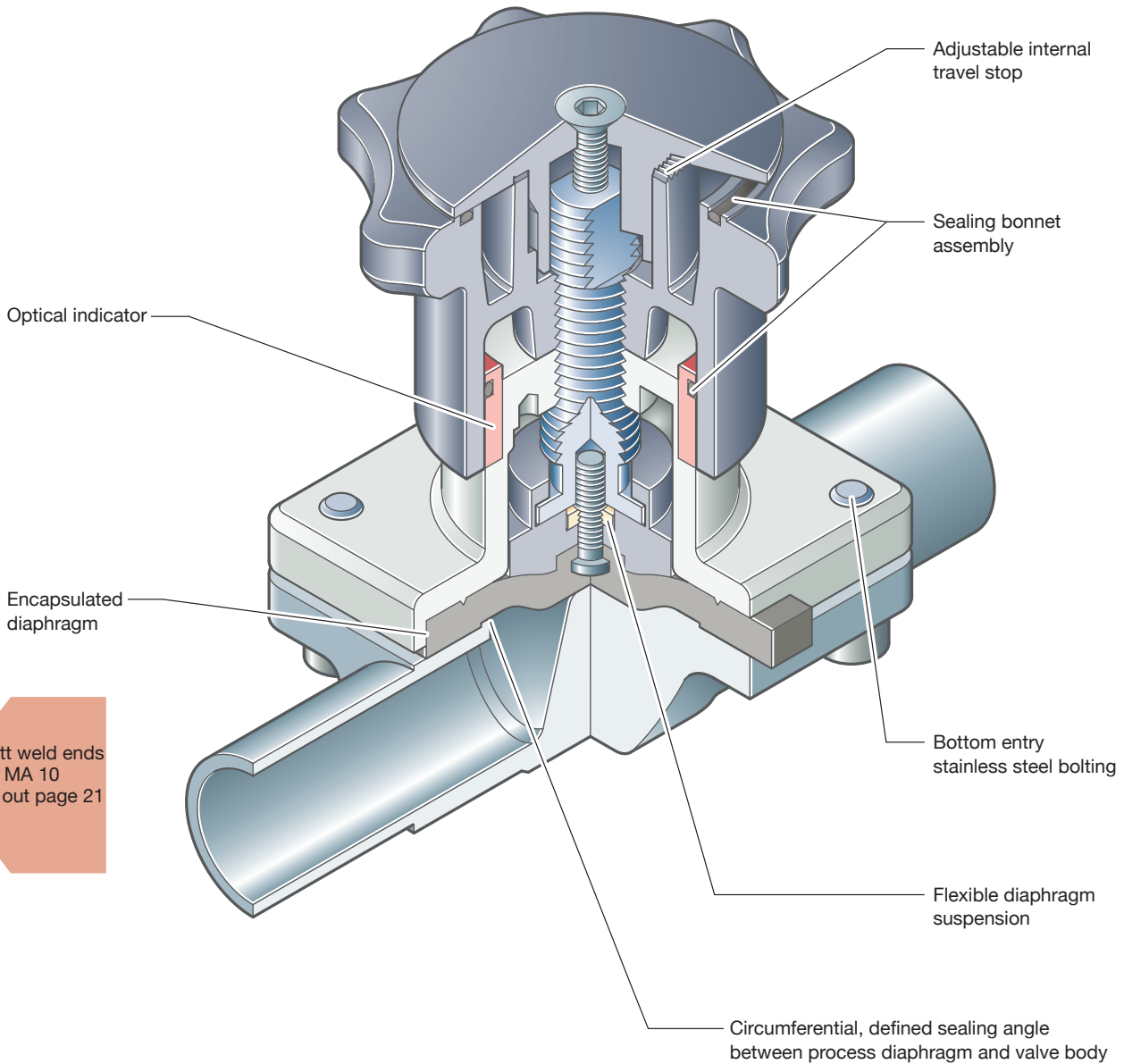
Butt weld ends  
MA 10  
Fold out page 21





# Steripur 397 / KMA 295 / KMD 289

## Manual Valve DN 8 - 20 mm (3/8" - 3/4")



Butt weld ends  
MA 10  
Fold out page 21