

Manual Valve DN 65 - 100 mm (2 1/2" - 4")



DN 80, KMA 995

Features

- **Stainless steel bonnet and plastic hand wheel**
- Non rising hand wheel with optical indicator
- Flexible diaphragm suspension
- Encapsulated diaphragm
- CDSA sealing concept, see page 32

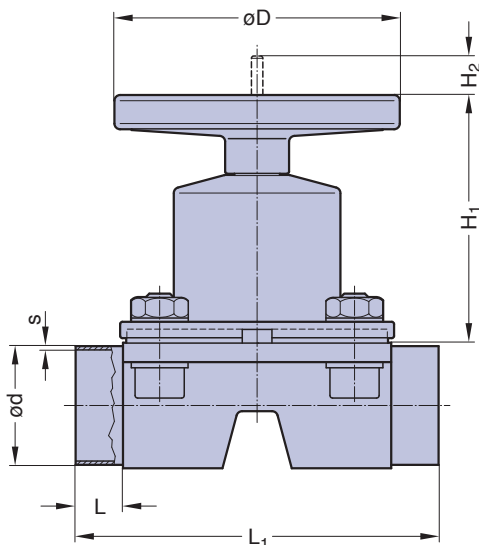
Optional

- Adjustable travel stop or stroke limiter
- Sealed bonnet
- Locking device

Technical Data

Control function:	Manually operated
Max. working pressure:	EPDM 10 bar (150 psi) PTFE 8 bar (115 psi)
Max. working temperature:	160°C (320°F) dependent on application
Diaphragm material:	EPDM or PTFE
Valve body material:	Forged 1.4435/ 316L ASME/BPE Investment cast 1.4435/ 316L Other Alloys
End connection:	Butt weld ends see fold out page 21 Clamps and flanges see page 22 and 23 Special ends
Bonnets suitable for:	Two-Way bodies Welded configurations T- bodies Multiport bodies Tank bottom bodies
Flow rate:	Kv in m ³ /h (Cv in GPM) see page 9
Diaphragm size:	MA see table
Technical data also valid for multiport valve.	

Butt weld ends
MA 25 - 100
Fold out page 21



DN 65 - 100 (Drawing MA 80)

DN (mm)	MA	Dimensions (mm)					Total weight ca. (kg)	
		L	L ₁	H ₁	H ₂	D	Investment cast	Forged
65	80	30	216	180	38	198	10,0	13,0
80	80	30	254	180	38	198	10,0	13,0
100	100	30	305	220	50	252	19,0	17,0

Valve type overview see page 26 and 27.
Ordering key see page 59 to 61..