

2) All lines and valve ports able to close

Description

For valve specification see page 81 as guideline

P&ID

- ⇒ Flow direction
- Drain direction
- ⊘ Valve

Illustration

Actuators and other options are included in some of the illustrations

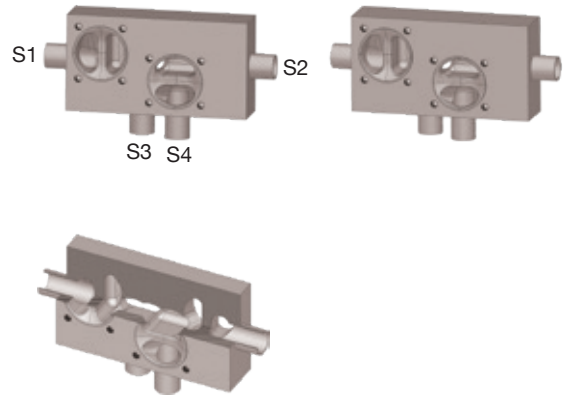
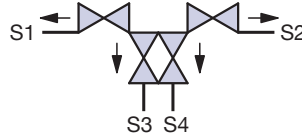
2.72)

MFE 4/4

2 x Valve horizontal
2 x Valve vertical

Back to back valve actuation

Recommended installation:
S3 and S4 vertical down
Dependent on design
and application
S3 and S4 vertical up



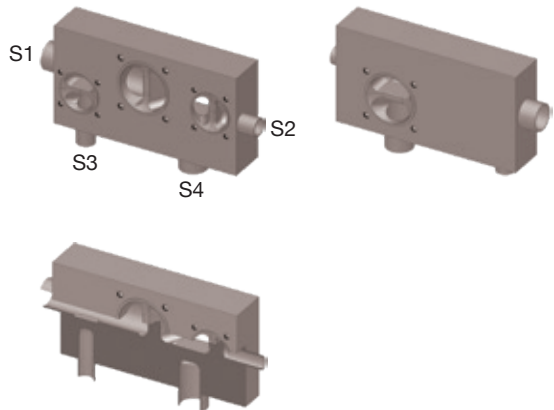
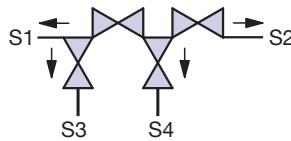
2.73)

MFE 4/4

2 x Valve horizontal
2 x Valve vertical

Back to back valve actuation

Recommended installation:
S3 and S4 vertical down
Dependent on design
and application
S3 and S4 vertical up



2.8)

MDE 4/4

no valve actuation on the back side

Chromatography valve without bypass

MDE 4/5

no valve actuation on the back side

Chromatography valve with bypass

Recommended installation:
S2 and S4 horizontal
S1 and S3 horizontal.
Or S1 to S4 horizontal

