

Steripur 206

Manual Valve DN 4 - 15 mm (1/4" - 1/2")



Steripur 206

Features

- Stainless steel bonnet and hand wheel
- Autoclavable
- Rising hand wheel
- Sealed bonnet with optical indicator
- Adjustable internal travel stop
- CDSA sealing concept, see page 32
- Flexible diaphragm suspension

Optional

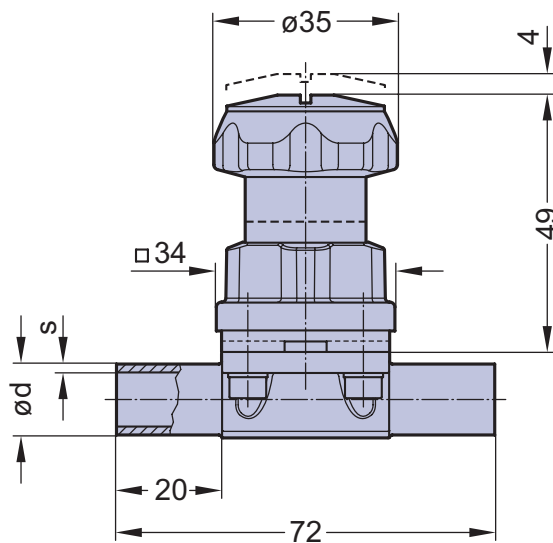
- Locking device

Technical Data

| | |
|---------------------------|--|
| Control function: | Manually operated |
| Max. working pressure: | 10 bar (150 psi) |
| Max. working temperature: | 160°C (320°F) dependent on application |
| Diaphragm material: | EPDM or PTFE |
| Body material: | Forged 1.4435/ 316L ASME/BPE Investment cast 1.4435/ 316L Other Alloys |
| End connection: | Butt weld ends see fold out page 21 Clamps and flanges see page 22 and 23 Special ends |
| Bonnets suitable for: | Two-Way bodies Welded configurations T- bodies Multiport bodies Tank bottom bodies |
| Flow rate: | Kv in m ³ /h (Cv in GPM) see page 9 |
| Diaphragm size: | MA 8 |
| Weight: | 206: ca. 0,3 kg |

Technical data also valid for multiport valve.

Butt weld ends
MA 8
Fold out page 21



Steripur 206

Valve type overview see page 26 and 27.
Ordering key see page 59 to 61.