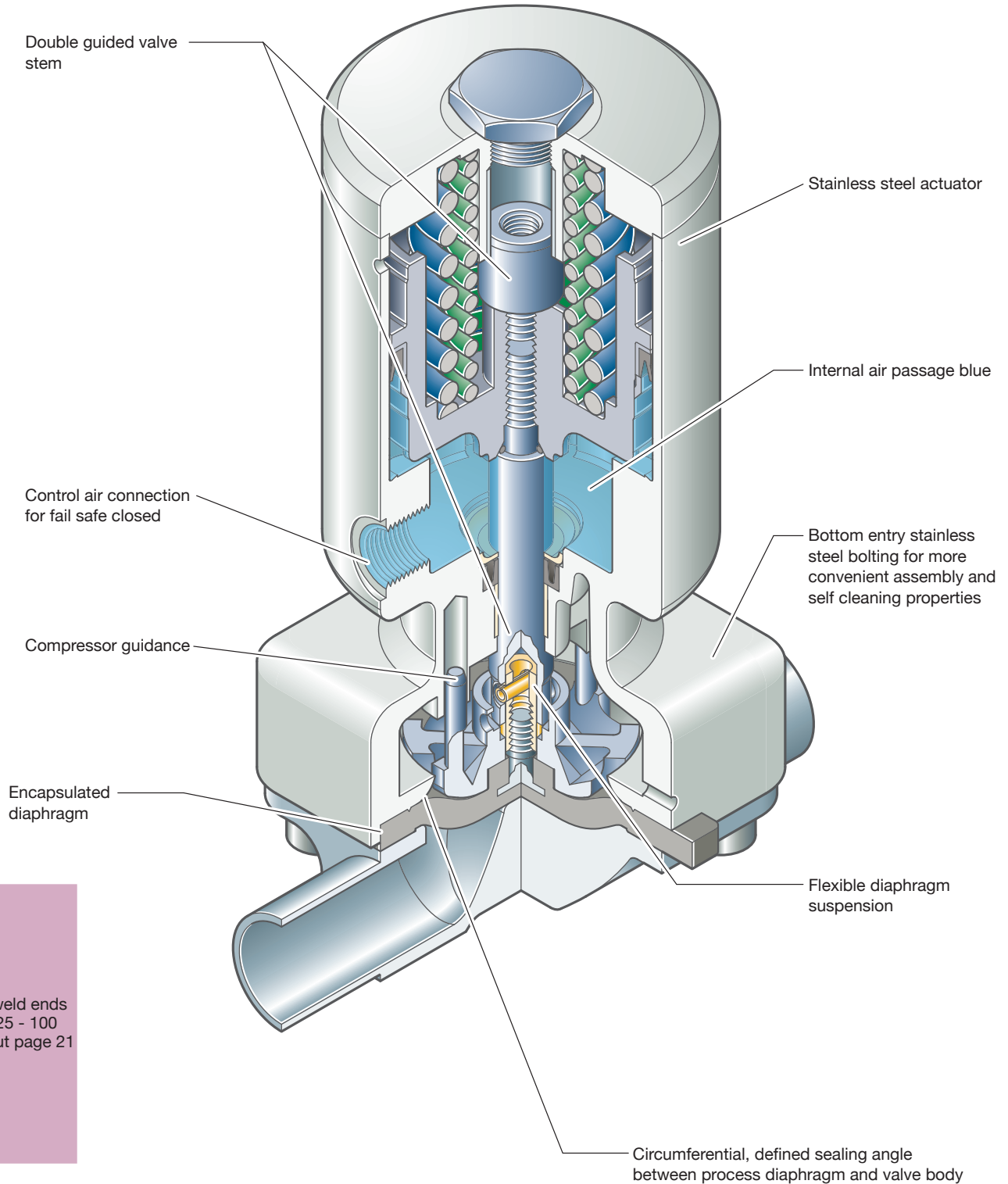


Steripur 407

Pneumatically Operated Valve DN 15 - 100 mm (3/4" - 4")



Butt weld ends
MA 25 - 100
Fold out page 21

Steripur 407

Pneumatically Operated Valve DN 15 - 100 mm (3/4" - 4")



DN 15 - 50 Cf. 4

Features

- High cycle stainless steel piston actuator
- Compact design, the outside diameter of the actuator is the same size as the bonnet flange
- Advantages in multiport bodies and manifold valve assemblies
- Control air connection in flow direction
- CDSA sealing concept, see page 32
- Flexible diaphragm suspension
- Encapsulated diaphragm
- Clean and polished exterior design ideal for sterile wash downs

Optional

- Available with a wide range of control equipment and accessories see page 108 to 115, also for retrofitting
- Control air connection 90° to flow direction
- Autoclavable

Technical Data

Control function (Cf.): Pneumatically operated
 Fail safe close (NC): Cf. 1 & 4
 Fail safe open (NO): Cf. 2 & 5
 Double acting (DA): Cf. 3 & 6

Direction

Control connection: At Cf. 4, 5 & 6, in flow direction, standard
 At Cf. 1, 2 & 3, 90° to flow direction

Max. working pressure: Unidirectional (delta p = 100%)

Diaphragm	DN 15-50 (1/2"-2")	DN 65-80 (2,5"-3")	DN 100 (4")
EPDM	10 bar (150 psi)	7 bar (100 psi)	6 bar (87 psi)
PTFE	8 bar (115 psi)	6 bar (87 psi)	5 bar (72 psi)

Higher working pressure may be achieved with different actuator. Please consult a SED factory representative for working pressure above the indicated maximum.

Max. working temperature: 160°C (320°F) dependent on application

Control pressure:
 Cf. 1 & 4 DN 15-80 5 - 8 bar(72-115 psi)
 Cf. 1 & 4 DN 100 6 - 8 bar(87-115 psi)
 Cf. 2, 3, 5 & 6 DN 15-80 4,5-6 bar(65-87 psi)
 Cf. 2, 3, 5 & 6 DN 100 5,5-7 bar(80-100 psi)

Diaphragm material: EPDM or PTFE
 Valve body material: Forged 1.4435/ 316 L ASME/BPE
 Investment cast 1.4435/ 316 L
 Other alloys

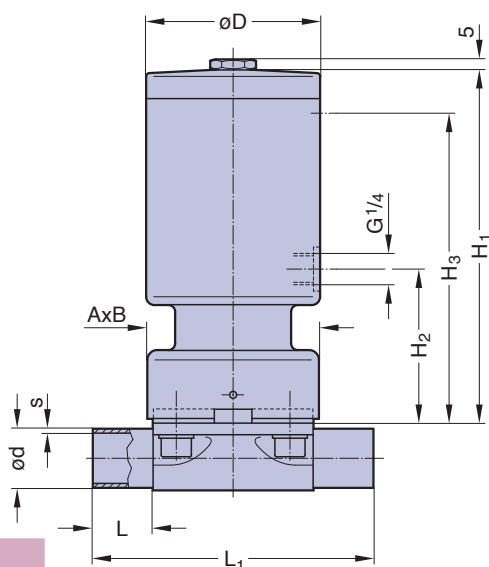
End connection: Butt weld ends see fold out page 21
 Clamps and flanges see page 22 and 23
 Special ends

Actuators suitable for: Two-Way bodies
 Welded configurations
 T-bodies
 Multiport bodies
 Tank bottom bodies

Flow rate: Kv in m3/h (Cv in GPM) see page 9

Diaphragm size: MA see table below

Technical data also valid for multiport valve.



DN 15 - 50

Butt weld ends
 MA 25 - 100
 Fold out page 21

DN (mm)	MA	Dimensions (mm)							Total weight ca. (kg)	
		L	L ₁	A x B	H ₁	H ₂	H ₃	D	Investment cast	Forged
15-25	25	25	120	73x79	146*	66	133	75	2,6	2,7
32-40	40	25	153	96x105	180	75	160	105	6,0	7,0
50	50	30	173	110x130	216	77	180	105	9,0	10,0
65	80	30	216	170x190	309	135	285	179	23,0	26,0
80	80	30	254	170x190	309	135	285	179	23,0	26,0
100	100	30	305	ø238	318	143	295	179	33,0	1,0

* Cf. 2, 3, 5, 6 = 170

Valve type overview see page 26 and 27.
 Ordering key see page 62 and 63.