

# Steripur 997

## Manual Valve DN 65 - 100 mm (3/4" - 4")



DN 65 - 100

### Features

- **Stainless steel bonnet and hand wheel**
- Non rising hand wheel with optical indicator
- Sealed bonnet
- Autoclavable
- CDSA sealing concept, see page 32
- Flexible diaphragm suspension
- Encapsulated diaphragm

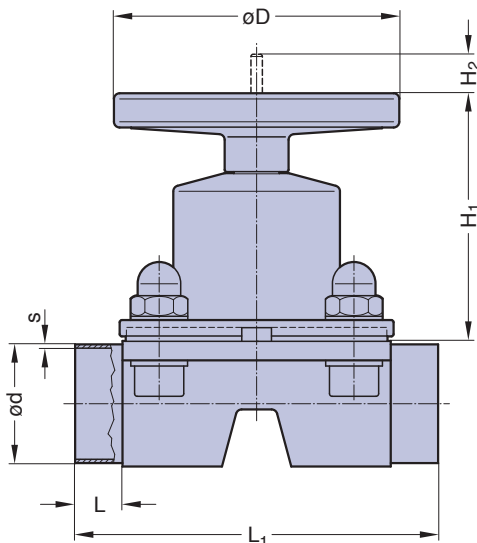
### Optional

- Adjustable internal travel stop or stroke limiter
- Sealed bonnet
- Locking device

### Technical Data

Control function:	Manually operated
Max. working pressure:	10 bar (150 psi) DN 65-100 diaphragm PTFE 8 bar (115 psi)
Max. working temperature:	160°C (320°F) dependent on application
Diaphragm material:	EPDM or PTFE
Valve body material:	Forged 1.4435/ 316L ASME/BPE Investment cast 1.4435/ 316L Other Alloys
End connection:	Butt weld ends see fold out page 21 Clamps and flanges see page 22 and 23 Special ends
Bonnets suitable for:	Two-Way bodies Welded configurations T- bodies Multiport bodies Tank bottom bodies
Flow rate:	Kv in m <sup>3</sup> /h (Cv in GPM) see page 9
Diaphragm size:	MA see table
Technical data also valid for multiport valve.	

Butt weld ends  
MA 25 - 100  
Fold out page 21



DN 65 - 100 (Drawing MA 80)

DN (mm)	MA	Dimensions (mm)					Total weight ca. (kg)	
		L	L <sub>1</sub>	H <sub>1</sub>	H <sub>2</sub>	D	Investment cast	Forged
65	80	30	216	180	38	198	13,0	15,0
80	80	30	254	180	38	198	13,0	15,0
100	100	30	305	220	50	252	22,0	20,0

Valve type overview see page 26 and 27.  
Ordering key see page 59 to 61.