

CONTROL HEAD SWITCH TYPE 024.63 - 024.65

The SED electrical control head is an innovative development based on years of experience in manufacturing electrical accessories for process valves. Depending on the version, the electrical control head provides signals for both open and closed positions of the valve and includes an integral solenoid valve for a direct air line connection to the actuator.

Features

- Self adjusting
- Circumferential catch the eye optical indicator representing the full stroke
- Ease of assembly and may be assembled with the valve actuator in the field
- Time saving electrical interface via pre-wired pin or a Bus-connection
- Compact design
- Position feedback versions with electromechanical switch, inductive initiators NAMUR or PNP
- AS-Interface option see Type 024.89
- Suitable for mounting on linear valves
- Depending on the specification, LED indication is available

Optional

- Integral solenoid valve with direct air line connection to actuator
- Stroke limiter for the valve stroke adjustment

Technical Data

Control Head		
	Material Housing	POM
	Material Cap	PC
	Material Sealing	NBR
	Ambient Temperature	-10°C bis +50°C
	Protection Class	IP 65 acc. EN 60529
Pilot Valve		
	Control Medium	Air class 3 according DIN ISO 8573-1 (Particle size ≤ 5µm)
	Control Air Connection	G1/8
	Supply Pressure	3-10 bar
	Flow QNn	230 l/min
	Voltage Tolerance	±10%

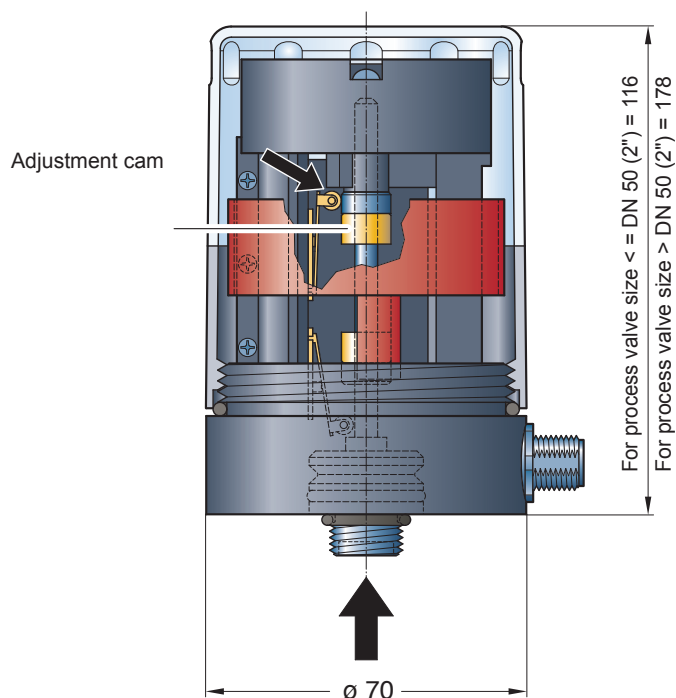
Details by Type

Type	024.63 Micro Switches	024.64 Namur Sensors	024.65 3 Wire PNP Sensors
Power Supply	60V	8 VDC	10 - 30 VDC
Power Input	2A	> 3 mA	0 - 100 mA
Feedback	Micro Switches	Namur Sensors P&F NJ2-V3-N	3 Wire PNP Sensors P&F NBB2-V3-E2
Number of Pilot Valves std.	0	0	0
Number of Pilot Valves max.	2	2 (not for Atex)	2
Atex (optional)	can be used in hazardous zones 1/21 and 2/22		

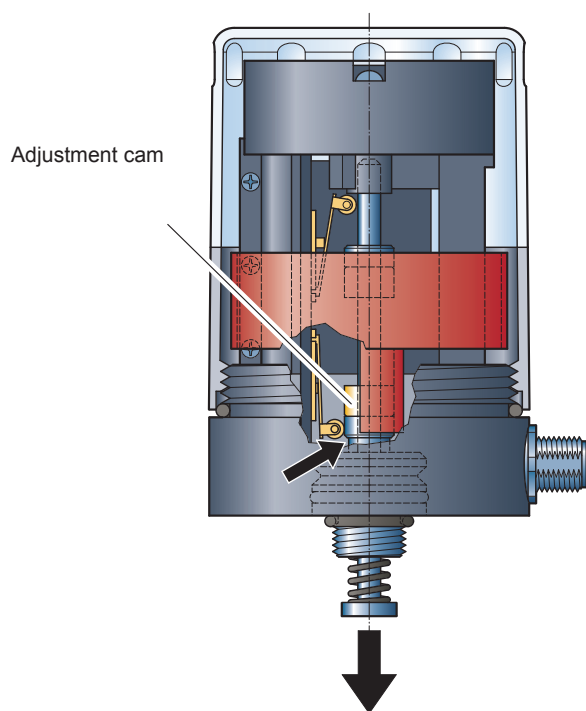


CONTROL HEAD SWITCH TYPE 024.63 - 024.65

Position
valve open



Position
valve closed



0215 Rev. d, Subject to alteration