

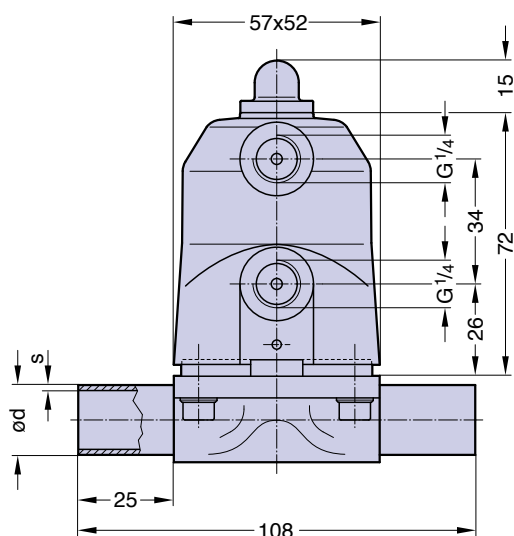
Pneumatically operated Valve DN 8 - 20 mm (3/8" - 3/4")



HS-Version, Cf. 1, 2 & 3



HS-Version, Cf. 4 & 5



Features

- Efficient plastic piston actuator directly assembled with the valve body
- Control air connection 90° to flow direction for side by side or other installations saving space
- Compact design, the outside diameter of the actuator is the same size as the bonnet flange
- Actuator high resistance to heat transfer
- Smooth exterior design ideal for wash downs
- Encapsulated diaphragm
- Optical indicator
- CDSA sealing concept, see page 32

Optional

- Available with a wide range of control equipment and accessories see page 132 to 139, also for retrofitting
- Control air connection in flow direction

Technical Data

Control function (Cf.): Pneumatically operated
 Fail safe close (NC): Cf. 1 & 4
 Fail safe open (NO): Cf. 2 & 5
 Double acting (DA): Cf. 3
 At control function NO/DA higher control pressure than required may affect the lifetime of the working diaphragm.

Direction

Control connection: At Cf. 1, 2 & 3, 90° to flow direction, standard
 At Cf. 4 & 5 in flow direction

Max. working pressure: Unidirectional ($\Delta p = 100\%$)
 EPDM diaphragm 8 bar (115 psi)
 PTFE diaphragm 7 bar (100 psi)

Higher working pressure may be achieved with different actuator. Please consult a SED factory representative for working pressure above the indicated maximum.

Max. working temperature: PS-Version 80°C (176°F)
 HS-Version 150°C (300°F)
 dependent on Application

Control pressure: Cf. 1 & 4 4,2 - 7 bar (60 - 100 psi)
 Cf. 2, 3 & 5 4 - 5 bar (60 - 72 psi)

Diaphragm material: EPDM or PTFE
 Valve body material: Forged 1.4435/ 316 L ASME/BPE
 Investment cast 1.4435/ 316 L
 Other alloys

End connection: Butt weld ends see fold out page 21
 Clamps and flanges see page 22 to 24
 Special ends

Actuators suitable for: Two-Way bodies
 Welded configurations

Flow rate: K_v in m^3/h (C_v in GPM) see page 9
 Diaphragm size: MA 10
 Weight: ca. 0,6 kg

DN (mm)	MA	Filling volume (NL)	
		NC	NO/DA
8-20	10	0,027	0,027