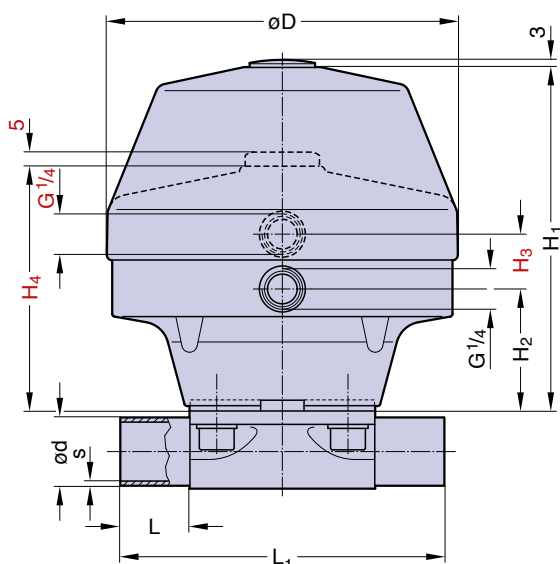


Pneumatically operated Valve DN 15 - 80 mm (3/4" - 3")



Cf. 1



Features

- Plastic diaphragm actuator directly assembled with the valve body
- Actuator high resistance to heat transfer
- Smooth exterior design ideal for wash downs
- Control air connection 90° to flow direction
- Flexible diaphragm suspension
- Encapsulated diaphragm
- CDSA sealing concept, see page 32

Optional

- Available with a wide range of control equipment and accessories see page 132 to 139, also for retrofitting

Technical Data

Control function (Cf.): Pneumatically operated
 Fail safe close (NC): Cf. 1
 Fail safe open (NO): Cf. 2
 Double acting (DA): Cf. 3
 At control function NO/DA higher control pressure than required may affect the lifetime of the working diaphragm.

Direction: At Cf. 1, 2 & 3, 90° to flow direction, standard
 Max. working pressure: Unidirectional ($\Delta p = 100\%$)

| Diaphragm | DN 15-50 (1/2"-2") | DN 65-80 (2,5"-3") |
|-----------|--------------------|--------------------|
| EPDM | 10 bar (150 psi) | 7 bar (100 psi) |
| PTFE | 8 bar (115 psi) | 6 bar (87 psi) |

Higher working pressure may be achieved with different actuator. Please consult a SED factory representative for working pressure above the indicated maximum.

Max. working temperature: S-Version 80°C (176°F)
 Control pressure:
 Cf. 1 DN 15-50 4,5 - 6 bar (65-87 psi)
 Cf. 1 DN 65-80 4,5 - 7 bar (65-100 psi)
 Cf. 2 & 3 DN 15-80 4 - 5,5 bar (60-80 psi)

Diaphragm material: EPDM or PTFE
 Valve body material: Forged 1.4435/ 316 L ASME/BPE
 Investment cast 1.4435/ 316 L
 Other alloys

End connection: Butt weld ends see fold out page 21
 Clamps and flanges see page 22 to 24
 Special ends

Actuators suitable for: Two-Way bodies
 Welded configurations

Flow rate: K_v in m^3/h (C_v in GPM) see page 9
 Diaphragm size: MA see table below

| DN (mm) | MA | Dimensions (mm) | | | | | | | Total weight ca. (kg) | | Filling volume (NL) | |
|---------|----|-----------------|----------------|----------------|----------------|----------------|----------------|-----|-----------------------|--------|---------------------|-------|
| | | L | L ₁ | H ₁ | H ₂ | H ₃ | H ₄ | D | Investment cast | Forged | NC | NO/DA |
| 15-25 | 25 | 25 | 120 | 128 | 49 | 31 | 97 | 130 | 1,9 | 2,0 | 0,16 | 0,13 |
| 32-40 | 40 | 25 | 153 | 176 | 77 | 31 | 131 | 161 | 3,8 | 4,1 | 0,36 | 0,28 |
| 50 | 50 | 30 | 173 | 214 | 91 | 31 | 161 | 217 | 8,0 | 9,0 | 1,15 | 0,50 |
| 65 | 80 | 30 | 216 | 269 | 121 | 41 | 229 | 265 | 16,0 | 18,0 | 1,15 | 0,50 |
| 80 | 80 | 30 | 254 | 269 | 121 | 41 | 229 | 265 | 16,0 | 18,0 | 1,15 | 0,50 |

Note: H3 and H4 only for valves with Cf. 2 and Cf. 3 H1 only for valve with Cf. 1