



# Steripur 317

## Pneumatically operated Valve DN 8 - 20 mm (3/8" - 3/4")



Cf. 4

### Features

- High cycle stainless steel piston actuator
- Compact design, the outside diameter of the actuator is the same size as the bonnet flange
- Advantages in multiport bodies and various valve assemblies
- Control air connection in flow direction
- CDSA sealing concept, see page 32
- Flexible diaphragm suspension
- Encapsulated diaphragm
- Clean and polished exterior design ideal for sterile wash downs

### Optional

- Available with a wide range of control equipment and accessories see page 132 to 139, also for retrofitting
- Control air connection 90° to flow direction
- Autoclavable

### Technical Data

Control function (Cf.): Pneumatically operated  
 Fail safe close (NC): Cf. 1 & 4  
 Fail safe open (NO): Cf. 2 & 5  
 Double acting (DA): Cf. 3 & 6  
 At control function NO/DA higher control pressure than required may affect the lifetime of the working diaphragm.

Direction

Control connection: At Cf. 4, 5 & 6 in flow direction, standard  
 At Cf. 1, 2 & 3, 90° to flow direction

Max. working pressure: Unidirectional (delta p = 100%)  
 EPDM diaphragm 8 bar (115 psi)  
 PTFE diaphragm 7 bar (100 psi)

Higher working pressure may be achieved with different actuator.  
 Please consult a SED factory representative for working pressure above the indicated maximum.

Max. working temperature: 160°C (320°F) dependent on application  
 Control pressure: Cf. 1 & 4 4,2 - 7 bar (60 - 100 psi)  
 Cf. 2, 3, 5 & 6 4 - 5 bar (60 - 72 psi)

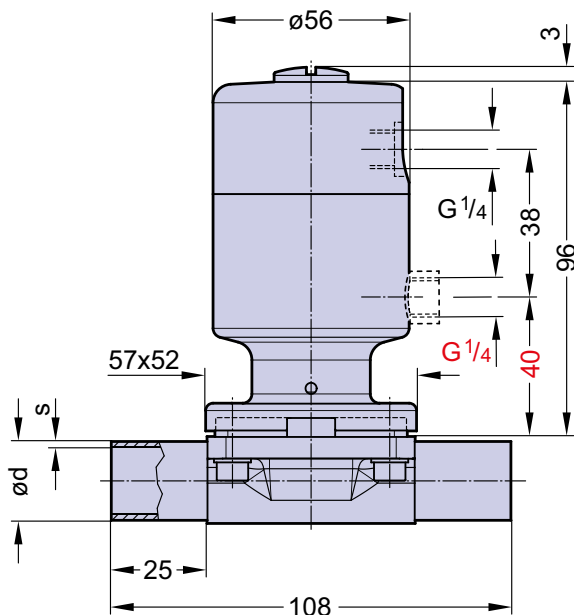
Diaphragm material: EPDM or PTFE  
 Valve body material: Forged 1.4435/ 316 L ASME/BPE  
 Investment cast 1.4435/ 316 L  
 Other alloys

End connection: Butt weld ends see fold out page 21  
 Clamps and flanges see page 22 to 24  
 Special ends

Actuators suitable for: Two-Way bodies  
 Welded configurations  
 T-bodies  
 Multiport bodies  
 Tank bottom bodies

Flow rate: Kv in m<sup>3</sup>/h (Cv in GPM) see page 9  
 Diaphragm size: MA 10  
 Weight: ca. 1,0 kg

Technical data also valid for multiport valve.



Red indicated values for DA Version

DN (mm)	MA	Filling volume (NL)	
		NC	NO/DA
8-20	10	0,035	0,030