



# Steripur 907

## Manually operated Valve DN 15 - 50 mm (3/4" - 2 1/2")



Steripur 907, T01

### Features

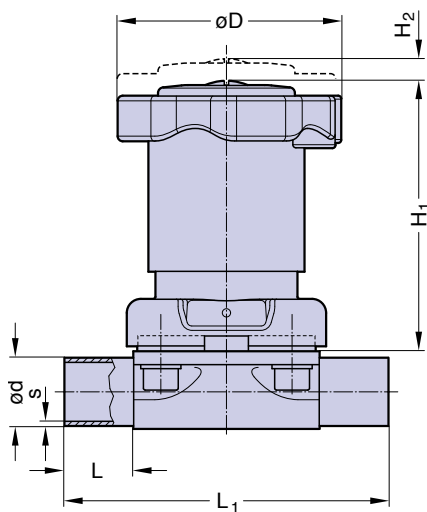
- Stainless steel bonnet and hand wheel
- Autoclavable
- Rising hand wheel with optical indicator and stroke indicator
- Sealed bonnet
- Internal travel stop
- Locking device
- CDSA sealing concept, see page 32
- Flexible diaphragm suspension
- Encapsulated diaphragm

### Optional

- Adjustable internal stroke limiter
- U-Lock for hand wheel
- Assembly of proximity switches

### Technical Data

Control function:	Manually operated
Max. working pressure:	10 bar (150 psi)
Max. working temperature:	160°C (320°F) dependent on application
Diaphragm material:	EPDM or PTFE
Valve body material:	Forged 1.4435/ 316L ASME/BPE Investment cast 1.4435/ 316L Other Alloys
End connection:	Butt weld ends see fold out page 21 Clamps and flanges see page 22 to 24 Special ends
Bonnets suitable for:	Two-Way bodies Welded configurations T-bodies Multiport bodies Tank bottom bodies
Flow rate:	Kv in m <sup>3</sup> /h (Cv in GPM) see page 9
Diaphragm size:	MA see table
Technical data also valid for multiport valve.	



DN (mm)	MA	Dimensions (mm)					Total weight ca. (kg) Steripur 907	
		L	L <sub>1</sub>	H <sub>1</sub>	H <sub>2</sub>	D	Investment cast	Forged cast
15-25	25	25	120	100	10	84	2,1	2,2
32-40	40	25	153	119	16	112	3,5	3,7
50	50	30	173	136	20	135	4,8	5,9