

Steripur 997



Manually operated Valve DN 65 - 100 mm (3/4" - 4")



DN 65 - 100

Features

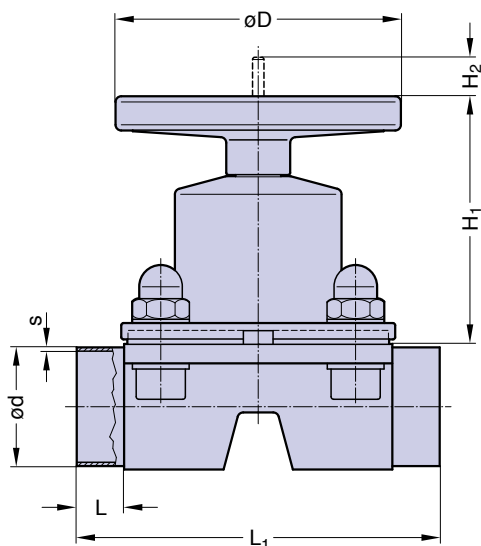
- Stainless steel bonnet and hand wheel
- Non rising hand wheel with optical indicator
- Sealed bonnet
- Autoclavable
- CDSA sealing concept, see page 32
- Flexible diaphragm suspension
- Encapsulated diaphragm

Optional

- Adjustable travel stop or stroke limiter
- Sealed bonnet
- Locking device

Technical Data

Control function:	Manually operated
Max. working pressure:	10 bar (150 psi) DN 65-100 diaphragm PTFE 8 bar (115 psi)
Max. working temperature:	160°C (320°F) dependent on application
Diaphragm material:	EPDM or PTFE
Valve body material:	Forged 1.4435/ 316L ASME/BPE Investment cast 1.4435/ 316L Other Alloys
End connection:	Butt weld ends see fold out page 21 Clamps and flanges see page 22 to 24 Special ends
Bonnets suitable for:	Two-Way bodies Welded configurations T- bodies Multiport bodies Tank bottom bodies
Flow rate:	Kv in m ³ /h (Cv in GPM) see page 9
Diaphragm size:	MA see table
Technical data also valid for multiport valve.	



DN 65 - 100 (Drawing MA 80)

DN (mm)	MA	Dimensions (mm)					Total weight ca. (kg)	
		L	L ₁	H ₁	H ₂	D	Investment cast	Forged
65	80	30	216	180	38	198	13,0	15,0
80	80	30	254	180	38	198	13,0	15,0
100	100	30	305	220	50	252	22,0	20,0