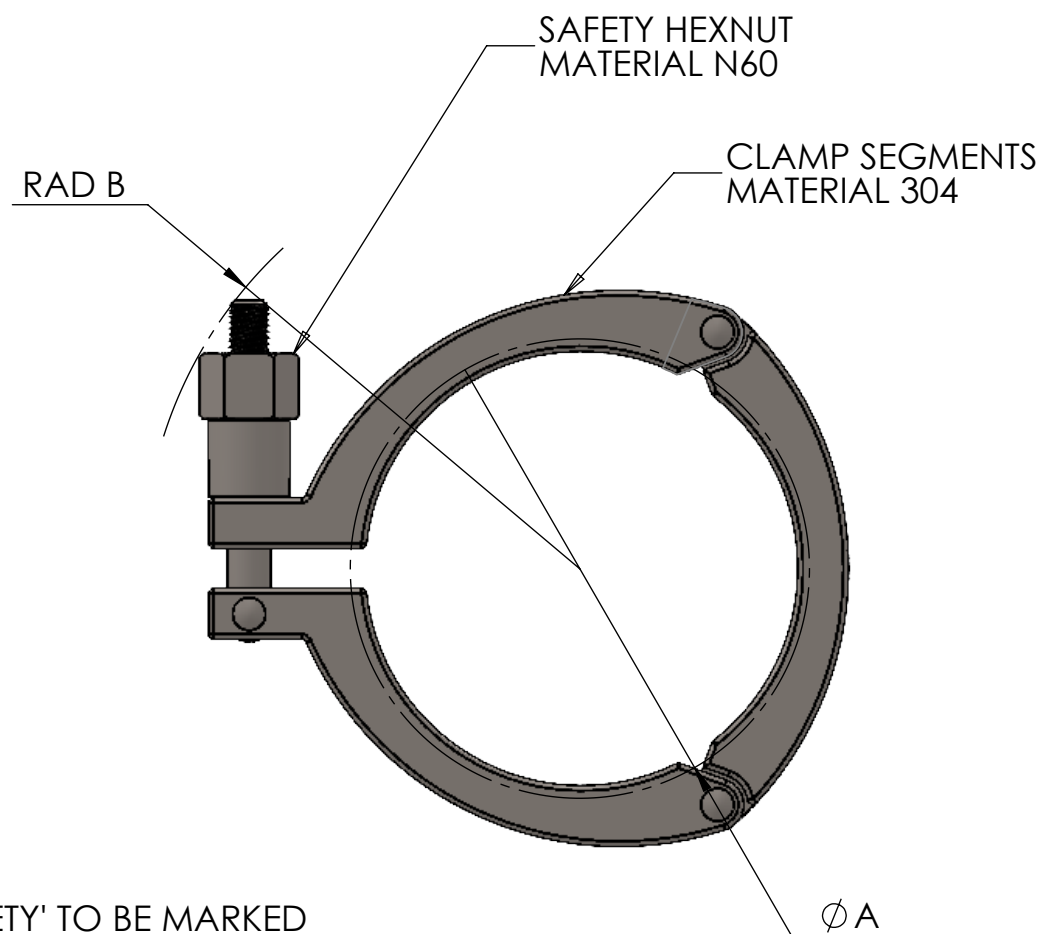
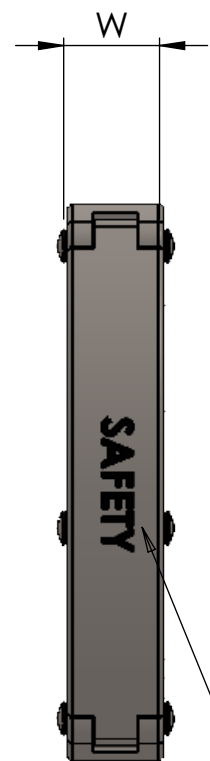
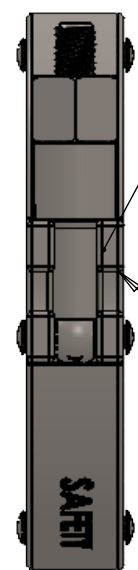


N60 MARKED ON EYEBOLT
TO DENOTE MATERIAL

DETAIL C
SCALE 2 : 1.5



'SAFETY' TO BE MARKED
ON EACH CLAMP SEGMENT
IN BOLD LETTERING



| NOMINAL SIZE | FLANGE (A) | LENGTH (C) | WIDTH (W) | WEIGHT Kg |
|--------------|------------|------------|-----------|-----------|
| 1" - 1.5" | 50.5 | 81.7 | 19 | 0.37 |
| 2" | 64 | 93.5 | 19 | 0.42 |
| 2.5" | 77.5 | 109 | 19 | 0.49 |
| 3" | 91 | 126 | 19 | 0.63 |
| 4" | 119 | 150 | 19 | 0.80 |

| | | | | | | | |
|--|--|--|--|--|--|--|--|
| | | | | | | | |
| | | | | | | | |
| | | | | | | | |
| | | | | | | | |