

# Valves and Solenoid valves Series NA

2

3/2 - 5/2 - 5/3 way C.C. C.O. C.P.  
with Interface according to the standard NAMUR



The pneumatic interface connection is according to the NAMUR standards.  
It is possible to equip the solenoid valves with different types of solenoids in conformity with the UL, ATEX standards.

## GENERAL DATA

<b>Construction</b>	spool type (pilot operated)
<b>Valve functions</b>	3/2 - 5/2 - 5/3 way
<b>Materials</b>	AL body - stainless steel spool - NBR seals
<b>Mounting</b>	through 2 Ø5 holes in valve body
<b>Ports</b>	2 - 4 = NAMUR 1 - 3 - 5 = G1/4
<b>Installation</b>	directly on surfaces with Namur Interface
<b>Operating temperature</b>	0 + 60°C (using dry air -20°C)
<b>Operating pressure</b>	1,5 - 10 bar double solenoid 2,5 - 10 bar single solenoid
<b>Nominal pressure</b>	6 bar
<b>Nominal flow</b>	Qn = 1000 NI/min
<b>Nominal diameter</b>	8 mm
<b>Fluid</b>	filtered air without lubrication. If lubricated air is used, it is recommended to use ISOVG32 oil, and to never interrupt the lubrication.

## CODING EXAMPLE

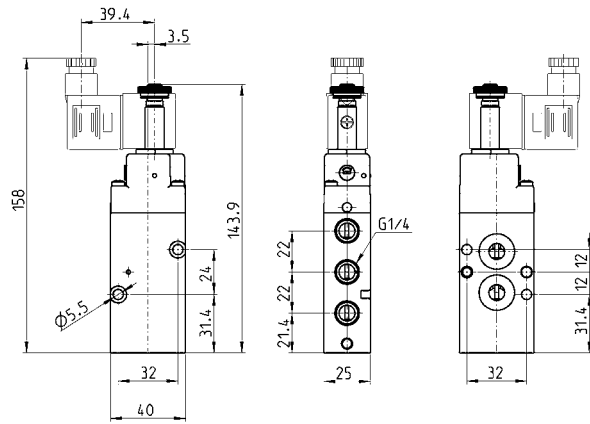
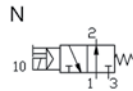
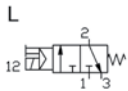
NA	5	4N	-	15	-	02	-	U	7	7
----	---	----	---	----	---	----	---	---	---	---

<b>NA</b>	SERIES NAMUR
<b>5</b>	N° WAYS/POSITIONS: 3 = 3/2 N.C. 4 = 3/2 N.O. 5 = 5/2 6 = 5/3 C.C. 7 = 5/3 C.O. 8 = 5/3 Pressure Centres
<b>4N</b>	PORTS: 4 = G1/4 supply NAMUR Standards
<b>15</b>	ACTUATION: 11 = double solenoid 15 = single solenoid spring return 33 = pneumatic pneumatic 35 = pneumatic spring
<b>02</b>	SOLENOID INTERFACE: 02 = mech. sol. 22 x 22
<b>U</b>	SOLENOID MATERIAL: A = PPS U = PET H = Self-exting. PA Explosion-proof (30 x 30) G = PA
<b>7</b>	SOLENOID DIMENSIONS: 7 = 22 x 22 8 = 30 x 30 9 = 22 x 22
<b>0</b>	SOLENOID VOLTAGE: See solenoids section, page 2.2.35.01

3/2-way solenoid valve N.C and N.O.



\*see voltage coding.

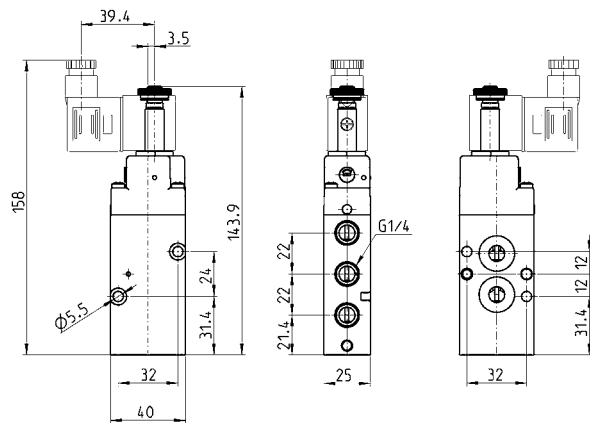


Mod.	Symbol
NA34N-15-02	L
NA44N-15-02	N

5/2-way solenoid valve, monostable



\*see voltage coding.

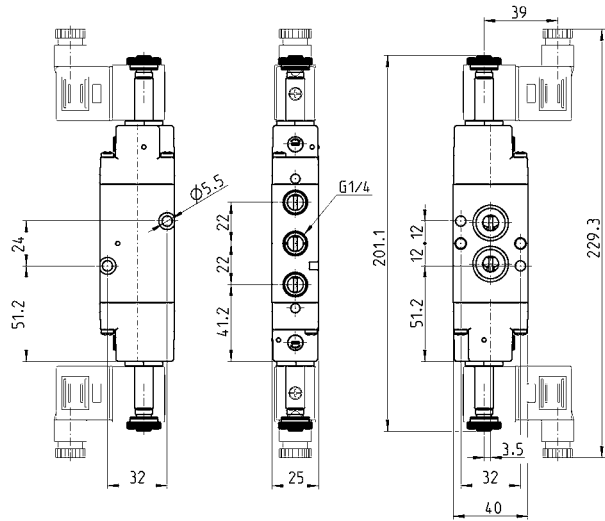
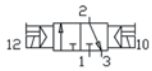


Mod.
NA54N-15-02

3/2-way solenoid valve, bistable

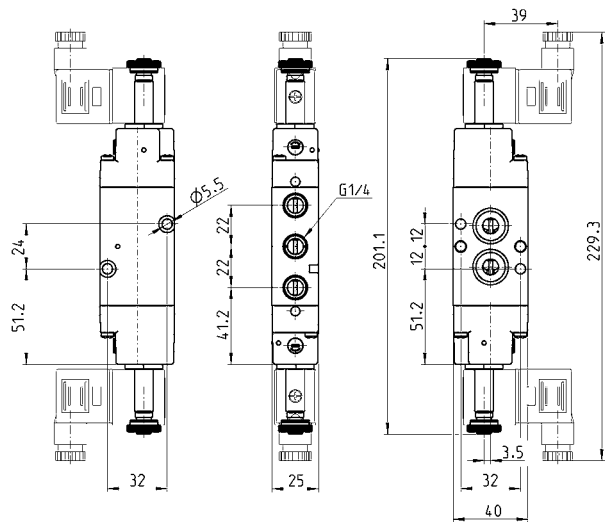


\*see voltage coding.



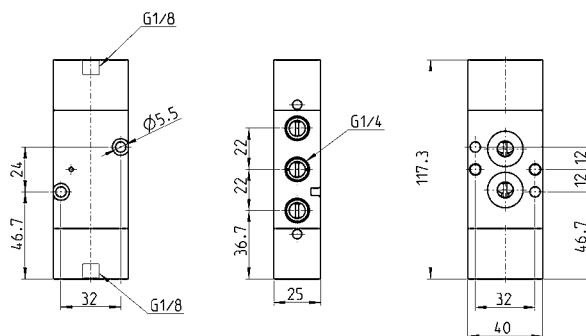
Mod.  
NA34N-11-02

5/2-way, solenoid valve, bistable



Mod.  
NA54N-11-02

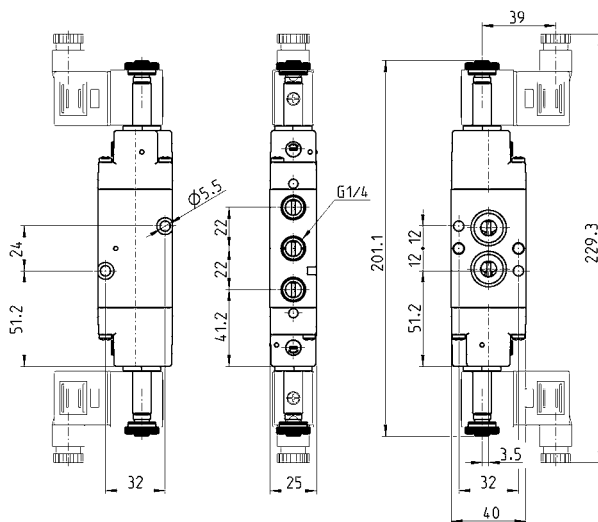
5/2-way pneumatic valve, bistable



Mod.

NA54N-33

5/3-way solenoid valve C.C. C.O. C.P.



B1



C1



D1



Mod.

NA64N-11-02

NA74N-11-02

NA84N-11-02

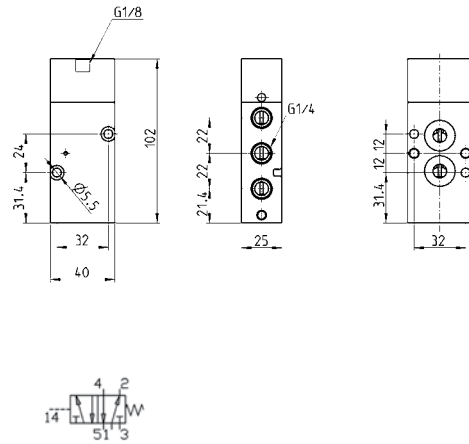
Symbol

B1

C1

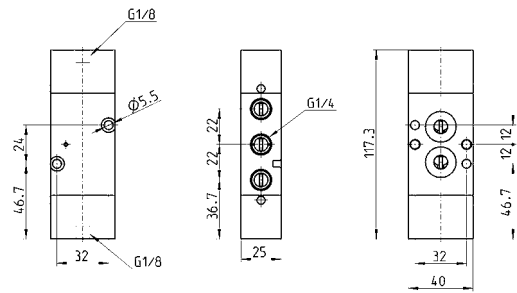
D1

5/2-way pneumatic valve, monostable



Mod.	NA54N-35
------	----------

5/3 -way pneumatic valve C.C. C.O. C.P.

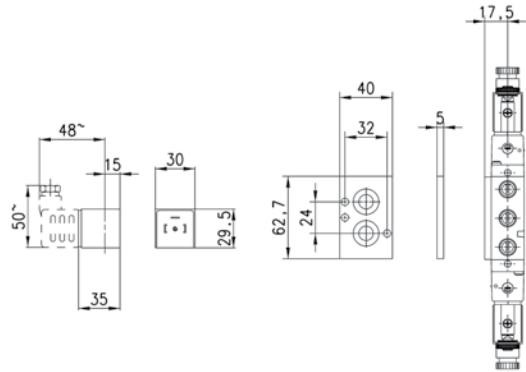


\*see voltage coding

Mod.	
NA64N-33	U1
NA74N-33	V1
NA84N-33	Z1

Distance plate Mod. NA54-PC

When using explosion proof coils Series H8  
Plate is supplied with:  
N° 2 screws  
N° 2 O-rings



Mod.	NA 54-PC
------	----------