

LATERAL Y C x C x C*

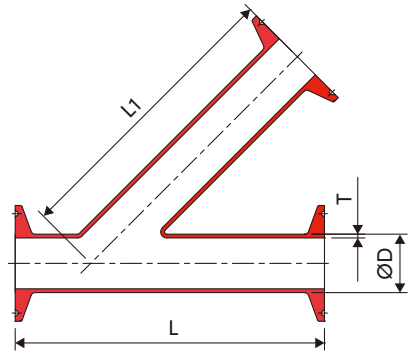
Stainless Steel Equal Lateral Y Clamp

For reliable processes in the pharmaceutical industry and biotechnology, ROMYNOX is the one-stop destination. We provide stainless steel fittings that comply with international ASME BPE standards and marking, with dimensions specified in ASME BPE Part DT-3-1. ASME BPE pipe fittings are the best choice for high cleanliness requirements in biological control.



Technical information

Sizes	see table
Connections	Tri-clamp
Material	1.4404 (316L)
Finishes	Interior surfaces SF1
Certificates (st.)	3.1 material
Certificates (opt.)	2.2 surface finish



SIZE	ØD	L	L1	T
½"	12.7	177.8	139.7	1.65
¾"	19.05	177.8	139.7	1.65
1"	25.4	177.8	139.7	1.65
1½"	38.1	212.7	169.8	1.65
2"	50.8	247.7	193.7	1.65
2½"	63.5	279.4	228.6	1.65
3"	76.2	298.4	238.1	1.65
4"	101.6	355.6	287.3	2.1
6"	152.4	501.7	390.5	2.77

* comply with ASME-BPE, but is not part of the ASME-BPE program.