

LATERAL Y W x W x W*

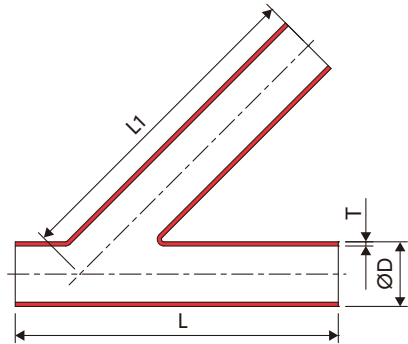
Weld Equal Lateral Y

For reliable processes in the pharmaceutical industry and biotechnology, ROMYNOX is the one-stop destination. We provide stainless steel fittings that comply with international ASME BPE standards and marking, with dimensions specified in ASME BPE Part DT-3-1. ASME BPE pipe fittings are the best choice for high cleanliness requirements in biological control.



Technical information

Sizes	see table
Connections	Weld
Material	1.4404 (316L)
Finishes	Interior surfaces SF1
Certificates (st.)	3.1 material
Certificates (opt.)	2.2 surface finish



SIZE	ØD	L	L1	T
½"	12.7	152.4	127	1.65
¾"	19.05	152.4	127	1.65
1"	25.4	152.4	127	1.65
1½"	38.1	187.3	157.1	1.65
2"	50.8	222.3	181	1.65
2½"	63.5	254	215.9	1.65
3"	76.2	273	225.4	1.65
4"	101.6	324	271.5	2.1
6"	152.4	470	374.7	2.77

* comply with ASME-BPE, but is not part of the ASME-BPE program.