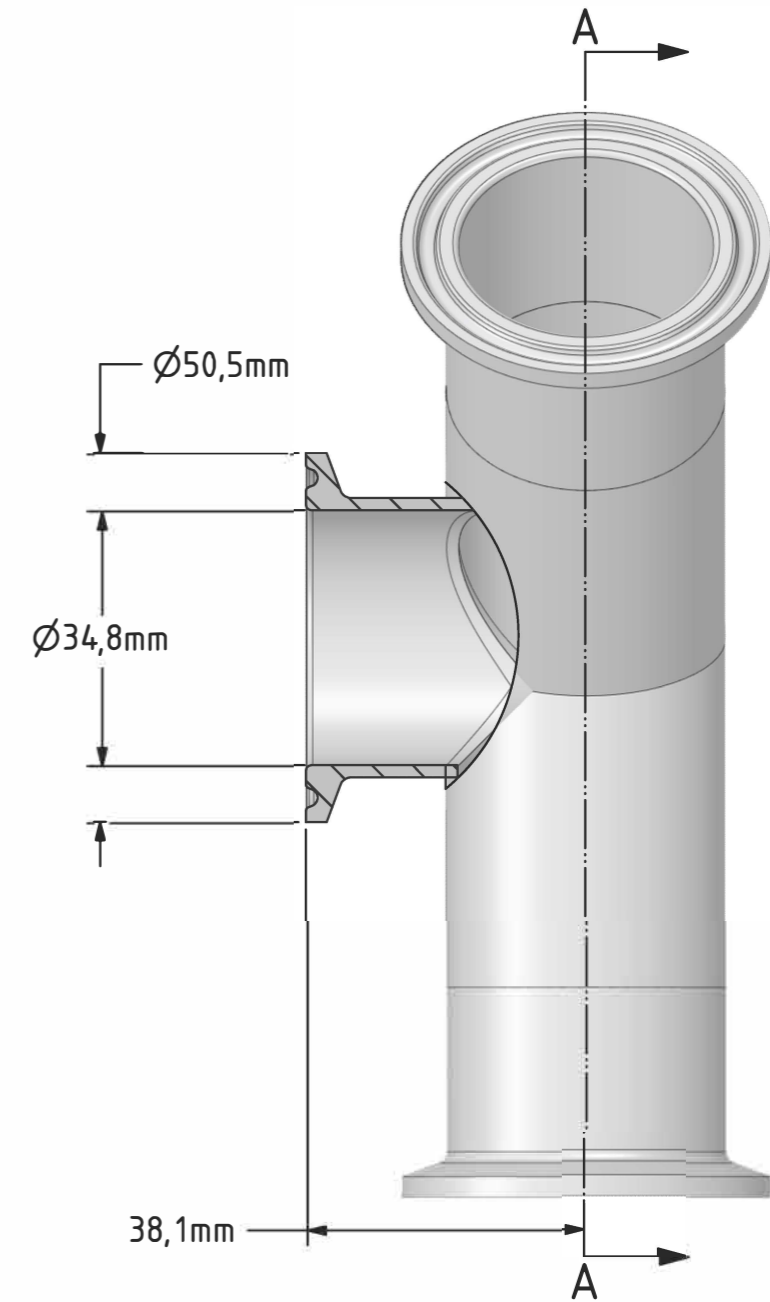
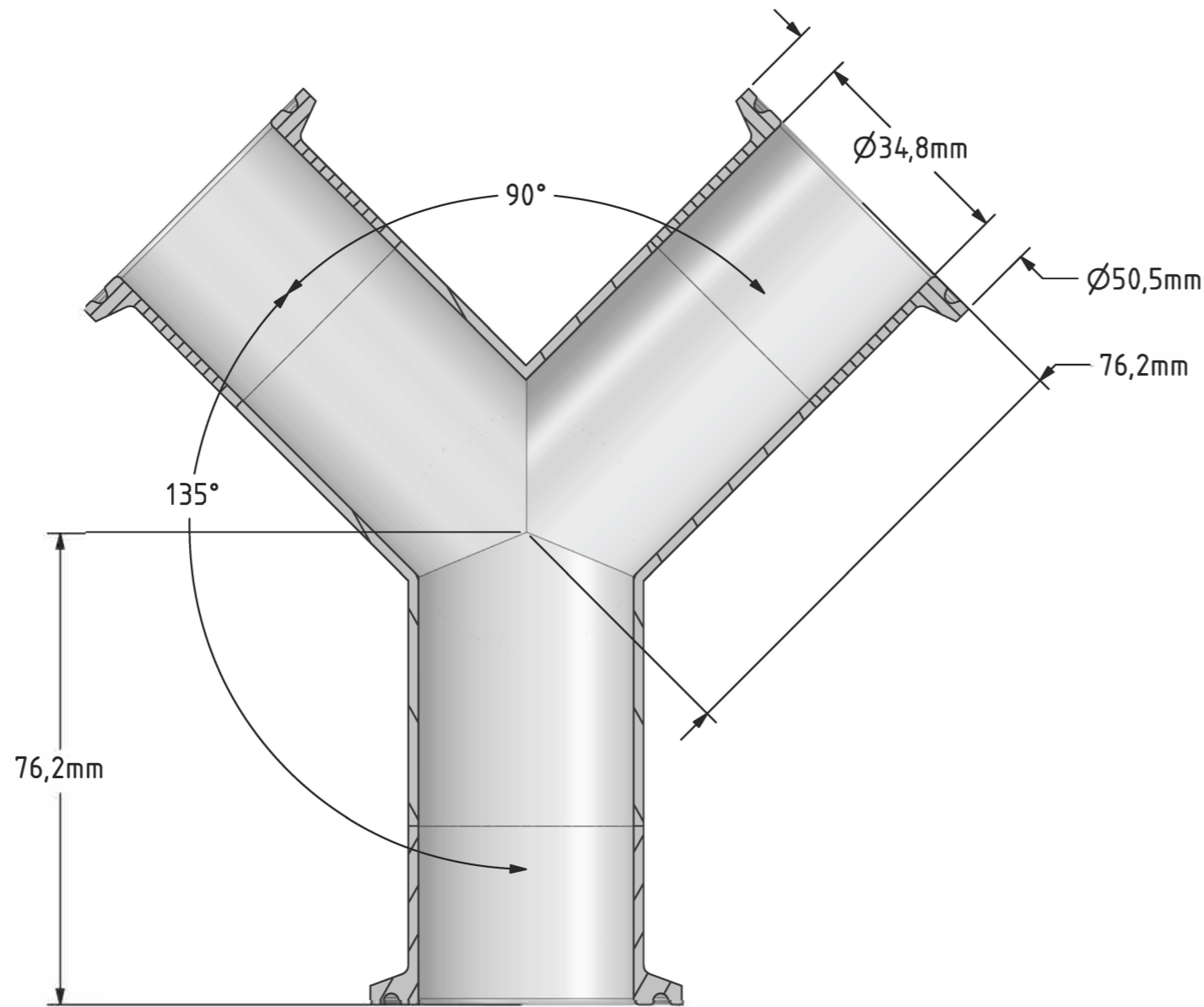


Technical Drawing



SECTION A-A



SCALE 1:2

THIRD ANGLE PROJECTION 	Title: Y-Piece for Autoclave CCCC 1.1/2		DWG No. 202101270101	Scale: 1:1
	Additional info: Material: 316, Mechanical polished Ra < 0,8 µm		Article No. VDZ15CCCC345--	Units: mm
	Notes:			Revision
	Tolerances acc. to ISO 2768 f;			
	D			0 - 5 ± 0,05 mm
	C			5 - 10 ± 0,1 mm
B			20 - 100 ± 0,15 mm	
A	01-2		100 - < ± 0,2 mm	
Edited	Date	Description	Signed	