

VALVES WITH CONDENSATE DRAIN CONNECTION

Valves with condensate drain connection feature an additional port which allows drainage of steam condensate or trapped liquids from the valve body cavity. Valves with this option are also used to allow sampling of steam for purity checks or to serve as isolation means for safe maintenance of steam traps.

In addition to these features, the flow of steam surrounding the valve ensures complete sterilization of the valve body cavity.

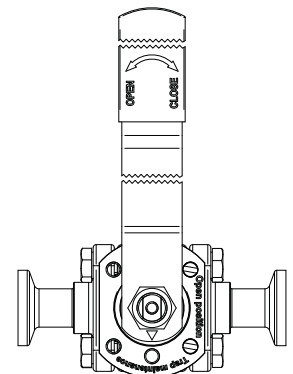
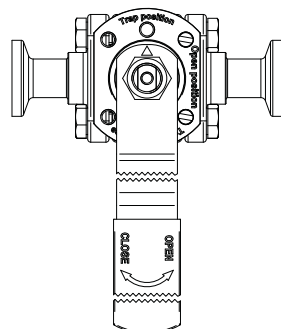
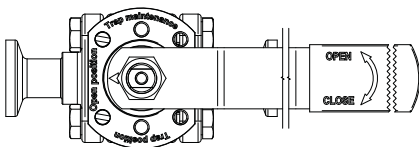
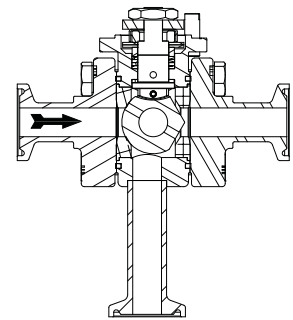
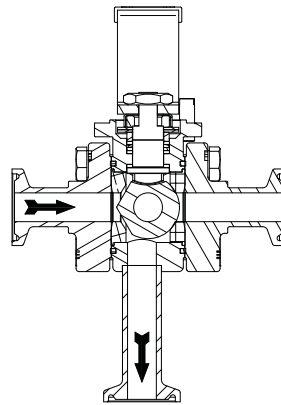
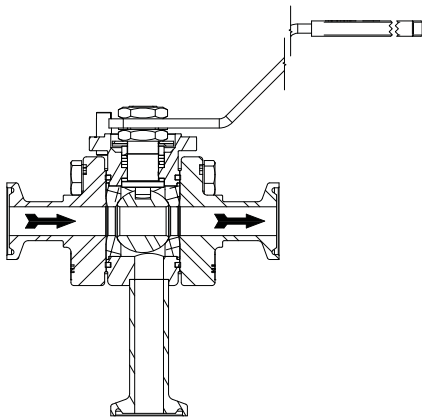


HOW IT WORKS

Open position – The valve allows steam flow to the process. The steam trap is isolated from the flow to allow sterilization temperatures to be quickly reached.

Drain position – Condensate flows inside the valve body cavity and is discharged by an automatic steam trap connected to the bottom connection, preventing backup of liquid. Flow to the process, or sampling, is isolated.

Service position – Allows steam trap maintenance to be performed safely without the need of a second isolating valve, since in this position the valve is fully closed.



Open position

Drain position

Service position